

Autotool 2000 CPK

Force Measurement Device CPK

Assembly Instructions
Montageanleitung

GB	English	Translation of the original instructions	3
DE	Deutsch	Originalanleitung	16

Table of contents

1	Notes for the user	4	5	Installation	8
1.1	Information about the product	4	5.1	General notes	8
1.2	Warranty	4	5.2	Fit the force measuring device with the grip mount	8
1.3	Contact data	4	5.2.1	Set up the base frame and align	8
1.4	Information about these Assembly Instructions	4	5.2.2	Fitting the manual force measuring device	8
1.5	Copyright and intellectual property rights.	4	5.2.3	AT2000 CPK Fitting	8
1.6	Keeping and dissemination of these instructions	4	5.3	Fitting the force measuring device using the Robot adapter CPK	9
1.7	Target group of these instructions	4	5.3.1	Set up the base frame and align	9
1.8	General information	4	5.3.2	Fitting the manual force measuring device	9
1.9	Conventions adopted in these instructions	4	5.3.3	AT2000 CPK Fitting	10
1.9.1	Classification of the precautionary notices	4	5.4	AT2000 CPK connect.	10
1.9.2	Other notational conventions	4	5.5	Install the HT Data Management	10
2	Safety warnings	5	6	Operation	11
2.1	General power tool safety warnings	5	6.1	Setting the AT2000 CPK distance.	11
2.2	Intended use	5	6.2	Performing a measurement	11
2.3	Misuse.	5	6.3	Evaluating data	11
2.4	Personnel qualification.	5	7	Maintenance	12
2.4.1	Specialist personnel for operation	5	7.1	Important notes	12
2.4.2	Specialist personnel for maintenance and repair	5	7.2	General maintenance activities.	12
2.4.3	Authorised person for low-voltage electrical equipment	5	7.3	Cleaning the force measurement device	12
2.4.4	Authorised specialist for repair and testing.	5	8	Technical data	13
2.5	Underlying hazards associated with use of the AT2000 CPK or the Force Measurement Device CPK	5	8.1	Device	13
2.5.1	Electricity.	5	8.2	Connection plan	14
2.5.2	Cleanliness at the workplace	5	9	Spare parts	15
2.5.3	Spare parts and accessories	6			
3	Design and function	6			
3.1	Scope of supply.	6			
3.2	Functional description	7			
4	Transport, accessories and storage	7			
4.1	Transporting the device	7			
4.2	Accessories	7			
4.3	Disposal	7			
4.4	Storage	7			

1 Notes for the user

These instructions are very important for the correct use of the device. They contain important information and safety instructions that will enable you to install the product properly and utilise it correctly and economically for its intended use.

1.1 Information about the product

Product designation: Force Measurement Device CPK

Item number: 106-29010 / 106-29011

1.2 Warranty

The warranty is in accordance with statutory requirements. Warranty entitlement applies only in the country in which the products were originally purchased. Batteries, fuses and light sources are not covered by the warranty.

1.3 Contact data

The manufacturer of the product described in these instructions is:

HellermannTyton GmbH

Grosser Moorweg 45

D-25436 Tornesch, Germany

Tel. +49 4122 701-0

www.HellermannTyton.de

info@HellermannTyton.de

1.4 Information about these Assembly Instructions

Last update: 05.06.2018

1.5 Copyright and intellectual property rights

The manufacturer retains the copyright to these instructions. Under no circumstances may these instructions be reproduced or electronically processed, replicated or disseminated, in whole or in part, without the prior written consent of HellermannTyton GmbH (hereinafter referred to as HellermannTyton).

Any breach or infringement of these stipulations will result in liability for damages.

1.6 Keeping and dissemination of these instructions

These instructions must be kept in the immediate vicinity of the workplace and must be available at all times to all operating personnel. The operating company shall inform the operating personnel of the location of these instructions. The operating company shall obtain replacement from the manufacturer if these instructions are, become or are rendered no longer easily legible.

If the Force Measurement Device CPK is acquired by or sold on to a third party the following documents must be handed over to the new owner:

- These instructions
- Documents relating to repair work
- Logs of repair work undertaken

1.7 Target group of these instructions

These instructions must be read and complied with by every person charged with any of the following tasks:

- Installation
- Operation
- Maintenance
- Repair
- Fault rectification

1.8 General information

All accompanying drawings are exempt from the modification service.

1.9 Conventions adopted in these instructions

1.9.1 Classification of the precautionary notices

Precautionary notices in these instructions draw attention to hazards associated with use of the device and indicate how they can be avoided.

Non-compliance of any nature whatsoever can lead to accidents with fatal consequences, injury or damage to property.

The precautionary notices are subdivided into three groups according to the severity of the potential hazard:

DANGER

Texts accompanied by the signal word "DANGER" indicate hazardous situations which, in the event of non-compliance with the appropriate precautions, will cause death or severe injury.

WARNING

Texts accompanied by the signal word "WARNING" indicate hazardous situations which, in the event of non-compliance with the appropriate precautions, can cause death or serious injury.

CAUTION


Texts accompanied by the signal word "CAUTION" indicate hazardous situations which, in the event of non-compliance with the appropriate precautions, can cause slight injury.


1.9.2 Other notational conventions

- ▶ Indicates an instruction
- Indicates an item in a bullet list
- ☑ Indicates the result of an action
- *This text highlight* is used for cross-references.


NOTE

Texts accompanied by the signal word "NOTE" indicate situations which, in the event of non-compliance with the appropriate precautions, can cause damage to the AT2000 CPK or the Force Measurement Device CPK.

 Texts accompanied by this symbol contain information about environmental protection.

 Texts accompanied by this symbol contain useful additional information.

2 Safety warnings

 The safety warnings in the Operating instructions for the AT2000 CPK also apply to operation of the AT2000 CPK after installation in the force measurement device CPK.

2.1 General power tool safety warnings

WARNING

Non-compliance with the safety warnings below can lead to severe injuries, fire and electric shock.

- ▶ Comply with the instructions and warnings below.
- ▶ Keep the Operating instructions for the AT2000 CPK ready to hand.

2.2 Intended use

Use the Force Measurement Device CPK when it is in full working order and safe, always be safety-conscious and aware of the hazards.

The Force Measurement Device CPK with integrated AT2000 CPK is suitable for and intended for the following uses:

- Measuring the linear tensile force on cable tie
- For indoor use only
- Industrial use

2.3 Misuse

Use other than that stated in the section entitled "Intended use" is misuse. The operating company responsible for use of the apparatus bears sole responsibility for injury and damage resulting from misuse.

The safety regulations for the AT2000 CPK (see the Operating Instructions for the AT2000 CPK) apply in addition.

The following are specifically prohibited:

- Use with faulty parts
- Use in explosive environments or in the presence of a fire hazard
- Use outdoors
- Use in high humidity and/or direct sunlight
- Manipulation while processes are in progress
- Unauthorised alterations and modifications to the apparatus and its component parts without the prior consent of HellermannTyton
- Use of spare parts and accessories not tested and approved beforehand by HellermannTyton

2.4 Personnel qualification

Underage persons and trainees are permitted to use the device only under the supervision of an experienced specialist and only with the express permission of the operating company.

2.4.1 Specialist personnel for operation

The tasks and authorisations assigned to specialist personnel for extended operation are as follows:

- Operation of the products
- Rectification of faults or, as applicable, initiation of measures for the rectification of faults
- Cleaning of the products

These individuals have the specialist training or practical experience that will ensure correct handling.

2.4.2 Specialist personnel for maintenance and repair

Always have maintenance and repair work carried out by duly qualified specialist personnel. These individuals have received training that affords sufficient knowledge of the AT2000 CPK or the Force Measurement Device CPK for them to judge when it is in safe working order.

These individuals are also familiar with the following rules and regulations:

- Applicable national health and safety regulations
- Accident prevention regulations
- Generally accepted codes of practice, regulations and standards

2.4.3 Authorised person for low-voltage electrical equipment

Work on the electrical supply and on parts that are live when the device is in operation should always be carried out by a person duly authorised to work on low-voltage electrical equipment.

2.4.4 Authorised specialist for repair and testing

Only service technicians from HellermannTyton or service technicians authorised by HellermannTyton are permitted to carry out repairs and safety checks.

2.5 Underlying hazards associated with use of the AT2000 CPK or the Force Measurement Device CPK

2.5.1 Electricity

- ▶ Always wear safety glasses and suitable safety equipment whilst working.
- ▶ Before installation, cleaning and maintenance, disconnect the AT2000 CPK and the power pack CPK from the power supply.

2.5.2 Cleanliness at the workplace

Orderliness, good lighting and cleanliness at the workplace all help to make work easier and to minimise hazards and the risk of injury.

Always comply with the following principles of orderliness and cleanliness at the workplace:

- ▶ Put tools away as soon as they are no longer needed.
- ▶ Avoid trips (e.g. immediately dispose of waste by placing it in the containers provided for the purpose).

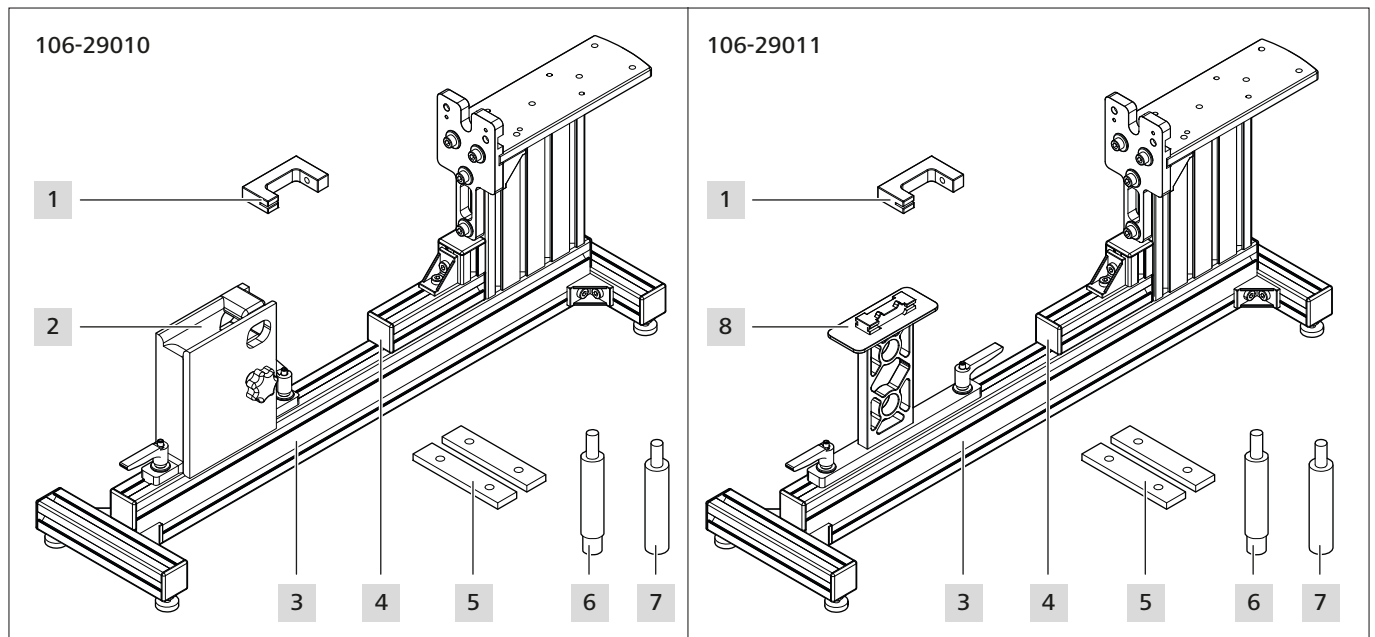
- ▶ Immediately remove spillages of grease, oil and other liquids.
- ▶ Avoid dirt on the operating controls of the AT2000 CPK.

2.5.3 Spare parts and accessories

- Use only original replacement parts.
- After parts have been replaced, always make sure that everything is in full working order.
- Use only accessories approved by HellermannTyton because the use of accessories can affect working with the AT2000 CPK or the Force Measurement Device CPK.

3 Design and function

3.1 Scope of supply

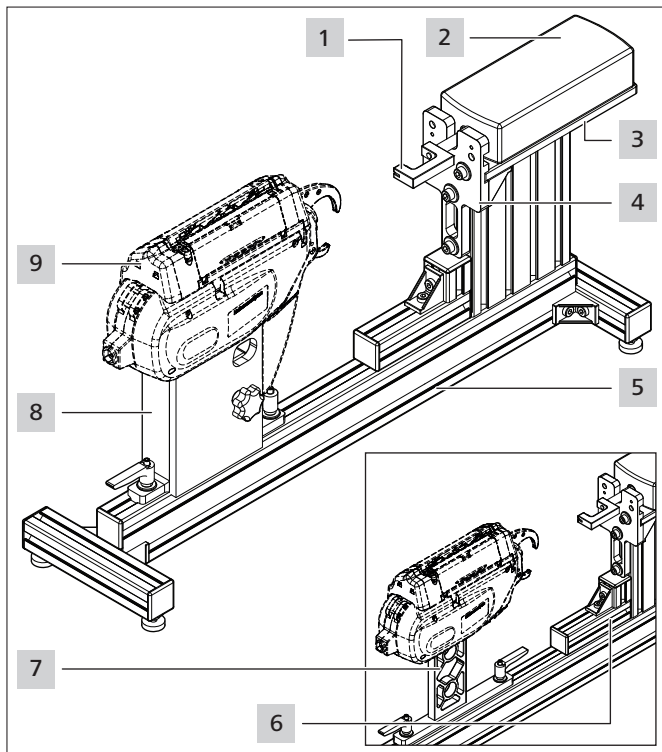


- 1 Tie bracket
- 2 Grip mount
- 3 Base frame
- 4 Stop
- 5 Spacers (for MI&T GmbH Force Measurement Device only)
- 6 Drawbar Chatillon
- 7 Drawbar MI&T
- 8 Robot adapter CPK

i The manual force measuring device with screws is not included with delivery. HellermannTyton recommends an Ametek GmbH or MI&T GmbH manual force measuring device.

i The AT2000 CPK and Power pack CPK are not included in the scope of supply.

3.2 Functional description



- 1 Tie bracket
- 2 Manual force measuring device
- 3 Base plate manual force measuring device
- 4 Base plate holder
- 5 Base frame
- 6 Stop
- 7 Robot adapter CPK
- 8 Grip mount
- 9 AT2000 CPK

The Force Measurement Device CPK is used to measure the tensile force acting linearly on the cable tie. The AT2000 CPK 9 is attached with a grip mount 8 or a Robot adapter CPK 7 to the base frame 5. The stop 6 serves as a spacer to grip mount 8.

For the measurement process, a cable tie is fed into the band mount groove 1 and a tensioning step is initiated. The tensioning motor of the AT2000 CPK then generates a linear tensile force on the manual force measuring device 2 that is fastened with the base plate 3 to the base frame 5. The measured tensile force is transmitted to the manual force measuring device 2 and can be entered in the Software HT Data Management manually, → "Evaluating data" on page 11.

4 Transport, accessories and storage

4.1 Transporting the device

Always use the supplied carton to transport the device. The components of the apparatus are packaged for transport.

NOTE

Components not correctly packed are subject to a risk of damage in transit.

Do not unpack components until just before they are going to be installed.

4.2 Accessories

Depending on the purchase order, the following components are part of the scope of supply:

Name	Article number
Operating Instructions	102-01002

4.3 Disposal

The operating company is under obligation to ensure that at the end of its useful life, the AT2000 CPK and the components including the accessories are disposed of in accordance with the applicable regulations. End-of-life (EOL) disposal of the AT2000 CPK and individual sub-assemblies and the disposal of consumables and auxiliaries are subject in part to statutory regulations. The appropriate local authorities will provide detailed information on request.

- ▶ Always dispose of packaging materials in accordance with the currently valid materials-disposal and environmental protection regulations.
- ▶ Always take materials, production waste and consumables for disposal to certified collection points.
- ▶ Contact the manufacturer for advice if there is any lack of clarity regarding disposal.

4.4 Storage

- ▶ Force Measurement Device CPK Store in a cool and dry place.
- ▶ Avoid direct sunlight.
- ▶ Store electronic components (e.g. AT2000 CPK and power pack CPK) in impact-absorbing packaging and separately from the accessories.
- ▶ Consult and comply with the appropriate data sheets for storage of the accessories.

5 Installation

5.1 General notes

i This documentation explains the installation of the Ametek GmbH manual force measuring device.

Tools needed

- Hexagon socket screw set SW10
- Spirit level
- Screwdriver PH1
- Allen key SW2,5, SW3, SW5

Safety

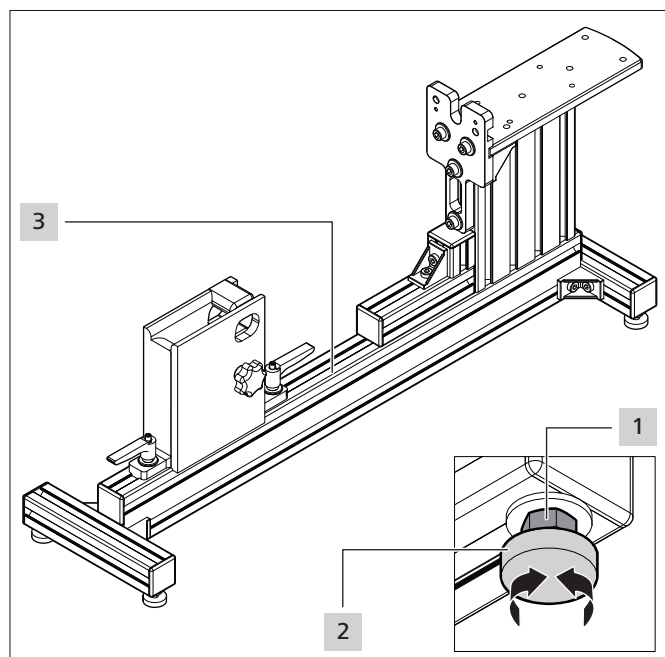
CAUTION

Crush hazard when jaws close

- ▶ Always keep the Power pack CPK pack switched off while installation is in progress.

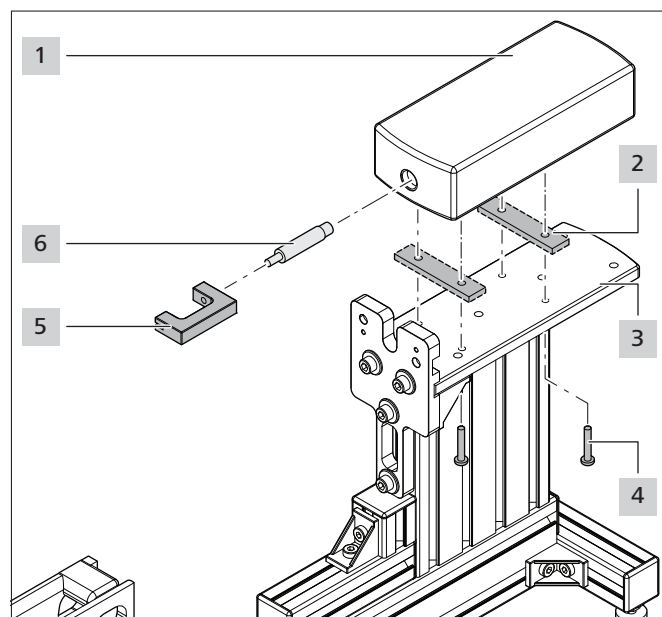
5.2 Fit the force measuring device with the grip mount

5.2.1 Set up the base frame and align



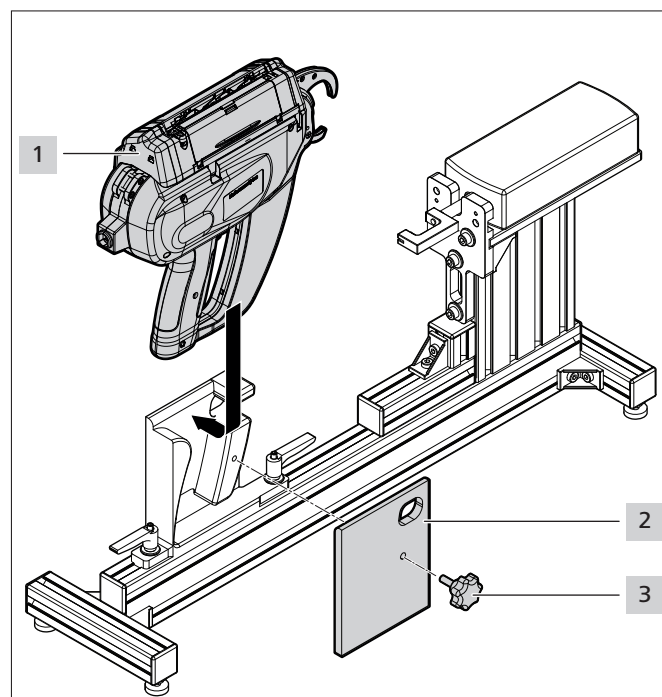
- ▶ Position the base frame **3** on a level and clean work surface.
- ▶ To align the base frame, unfasten the hexagon nuts **1** and turn the device feet **2** inwards or outwards.
- ▶ Check alignment using the spirit level.
- ▶ Tighten the hexagon nuts **1**.

5.2.2 Fitting the manual force measuring device



- ▶ By hand, carefully screw the band mount **5** onto the drawbar **6**.
- ▶ Screw the drawbar **6** into the manual force measuring unit **1**.
- ☑ The band mount **5** is horizontal.
- ▶ When fitting MI&T manual force measuring devices, place the two spacers **2** onto the base plate **3**.
- ▶ Insert the four screws **4** from the bottom through the base plate **3** into the manual measuring device **1**.
- ▶ Tighten the manual force measuring device **1**.

5.2.3 AT2000 CPK Fitting

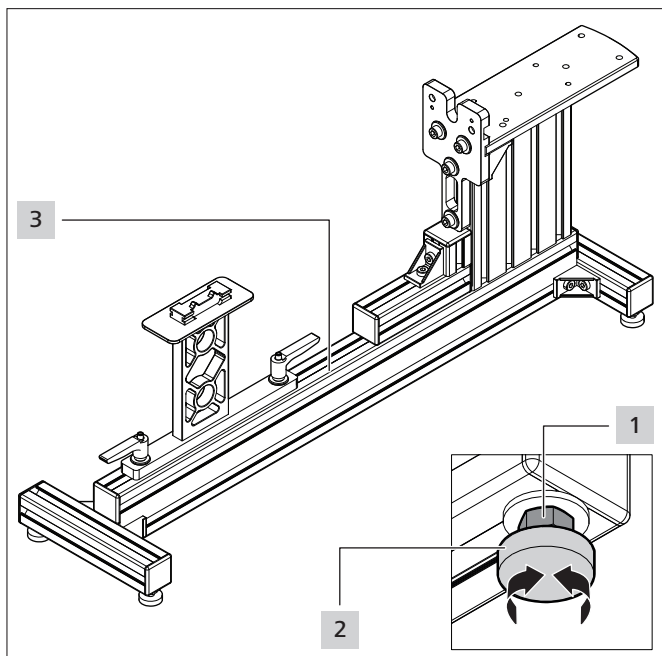


- ▶ Unfasten the grip mount cover **2** on the fixing screw **3** and remove.
- ▶ Insert the AT2000 CPK **1**.

- ▶ Close the cover **2** and tighten the fixing screw **3**.
- ☑ The AT2000 CPK **1** is fitted securely in the grip mount.

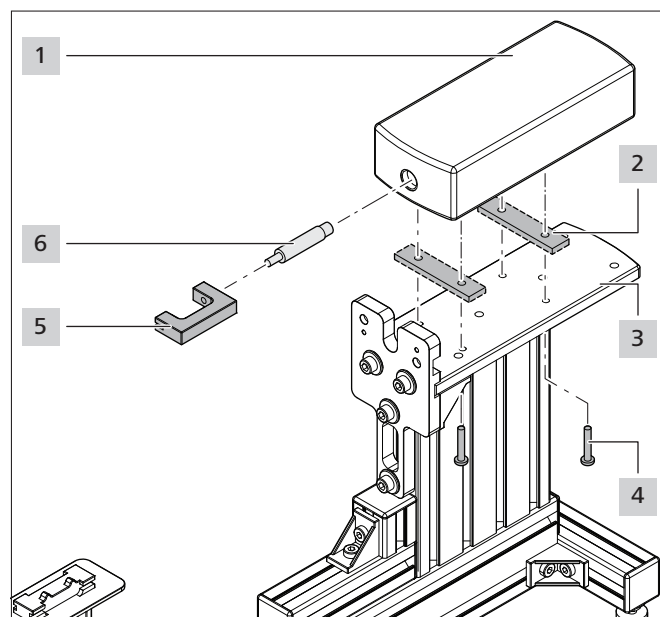
5.3 Fitting the force measuring device using the Robot adapter CPK

5.3.1 Set up the base frame and align



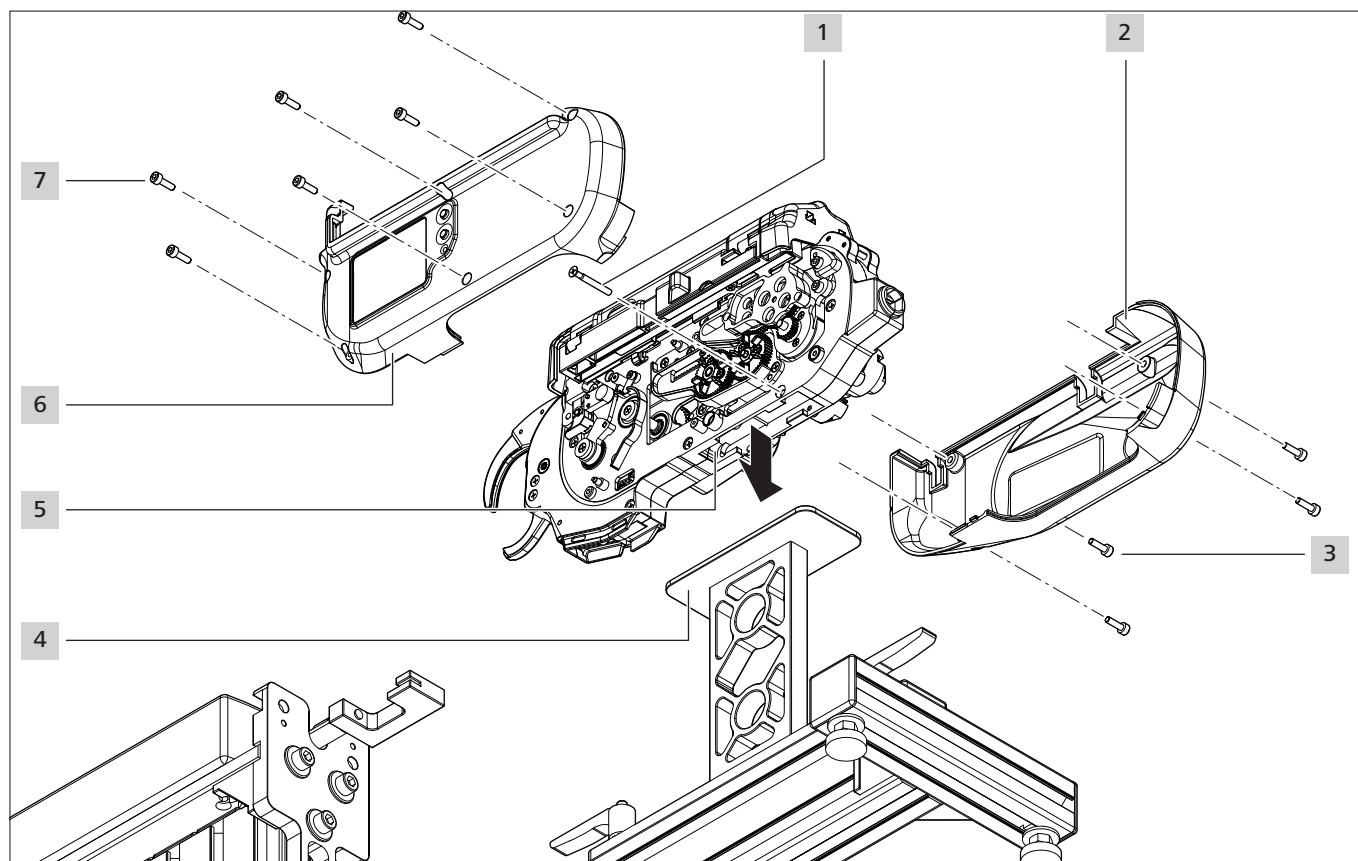
- ▶ Position the base frame **3** on a level and clean work surface.
- ▶ To align the base frame, unfasten the hexagon nuts **1** and screw the feet **2** inwards or outwards.
- ▶ Check alignment using the spirit level.
- ▶ Tighten the hexagon nuts **1**.

5.3.2 Fitting the manual force measuring device



- ▶ By hand, carefully screw the band mount **5** onto the drawbar **6**.
- ▶ Screw the drawbar **6** into the manual force measuring unit **1**.
- ☑ The band mount **5** is horizontal.
- ▶ When fitting MI&T manual force measuring devices, place the two spacers **2** onto the base plate **3**.
- ▶ Insert the four screws **4** from the bottom through the base plate **3** into the manual measuring device **1**.
- ▶ Tighten the manual force measuring device **1**.

5.3.3 AT2000 CPK Fitting



▶ Remove the AT2000 CPK from the Robot adapter CPK of the manufacturing system, → *Automation instructions of the AT2000 CPK*.

- ☑ The AT2000 CPK is open and the housing covers are removed.
- ▶ Position the AT2000 CPK on the Robot adapter CPK **4** of the force measuring device from above.
- ☑ The Robot adapter CPK slots into the groove **5** on the AT2000 CPK.
- ▶ Slide the AT2000 CPK downwards to the stop.
- ▶ Insert and tighten the screw **1**.
- ▶ Slide in the right-hand cover **2** from the rear and fasten using the screws **3**.
- ▶ Fasten the left-hand housing cover **6** using the screws **7**.

NOTE

Damage to the AT2000 CPK

- ▶ Only switch on the AT2000 CPK with the housing covers closed.

5.4 AT2000 CPK connect

- ▶ Connect the AT2000 CPK to the power pack CPK, → *Operating instructions of the AT2000 CPK*.
- ▶ Connect the CPK power pack to the power supply.
- ▶ Connect the power pack CPK to the PC, → *"Connection plan" on page 14*.

5.5 Install the HT Data Management

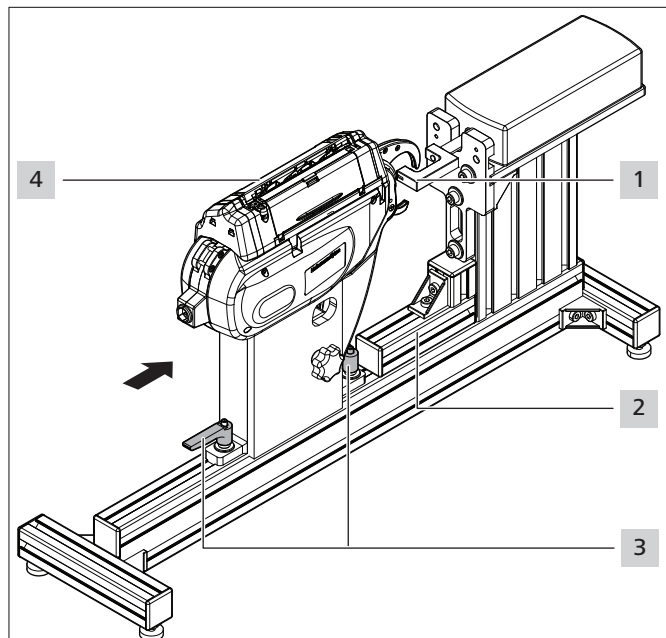
The HT Data Management software is supplied with the AT2000 CPK tool and must be installed on a PC.

The installation instructions for the software can be found in the operating instructions, → *Operating instructions of the AT2000 CPK*.

6 Operation

6.1 Setting the AT2000 CPK distance

Adjust the distance between the AT2000 CPK and the manual force measuring device as necessary.



- ▶ Unfasten the clamping levers **3** and slide the grip mount with the AT2000 CPK **4** to the stop **2**.
- ☑ Use the jaws of the AT2000 CPK **4** to grip around the arm **1** of the band mount.
- ▶ Tighten the clamping levers **3**.

6.2 Performing a measurement

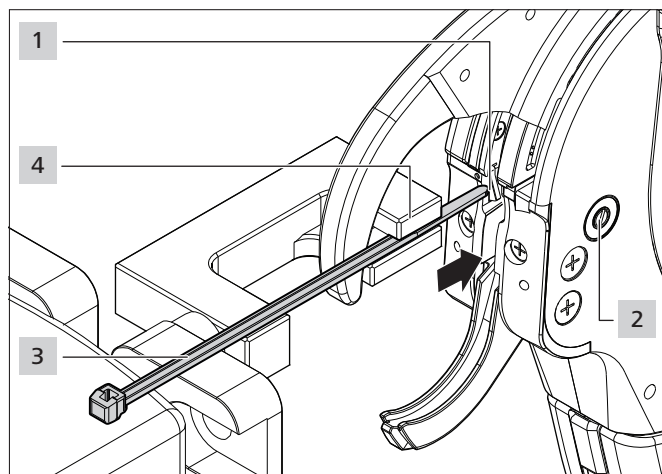
⚠ CAUTION

Cable tie is retracted.

Crushing hazard at the band mount

- ▶ Do not touch the cable tie during measuring.

i For use of the HT Data Management measuring environment, → "Evaluating data" on page 11



- ▶ Thread a T18RA cable tie **3** as far as the cable tie head through the groove **4** on the band mount.
- ▶ Insert the cable tie into the opening **1** in the AT2000 CPK. Use a screwdriver on the tension gear **2** if necessary.
- ▶ Select the **Measurement environment** tab in the HT Data Management software.
- ▶ Select the **Retraction mode**.
- ☑ The cable tie **3** is retracted and generates tensile force on the manual force measuring device.
- ☑ The manual force measuring device indicates the measured tensile force.
- ▶ Where necessary, insert a new cable tie and perform another binding operation.

6.3 Evaluating data

In parallel to the measurement with the manual force measuring device, the measured values can be entered in the HT Data Management software.

This data is displayed on the **Measurement environment** menu.

- ▶ Launch the HT Data Management software.
- ▶ Select the **Measurement environment** menu.
- ▶ Enter the measured values from the manual force measuring device in the **Measured force** field.
- ▶ For an export, and for the evaluation and processing of the measured values, follow the operating instructions of the AT2000 CPK, → *Operating instructions of the AT2000 CPK*.

7 Maintenance

7.1 Important notes

To ensure the safe working order of the AT2000 CPK, it must be serviced regularly, → *Operating instructions of the AT2000 CPK, Chapter Maintenance*



CAUTION

Crush hazard when jaws close

- ▶ Do not insert fingers between upper and lower jaws.
- ▶ Keep the power pack CPK switched OFF while servicing is in progress.

7.2 General maintenance activities



The activities involved in maintenance of the AT2000 CPK and the Power Pack CPK are described in the operating instructions for the AT2000 CPK, → *Operating instructions for the AT2000 CPK, Chapter Maintenance*.

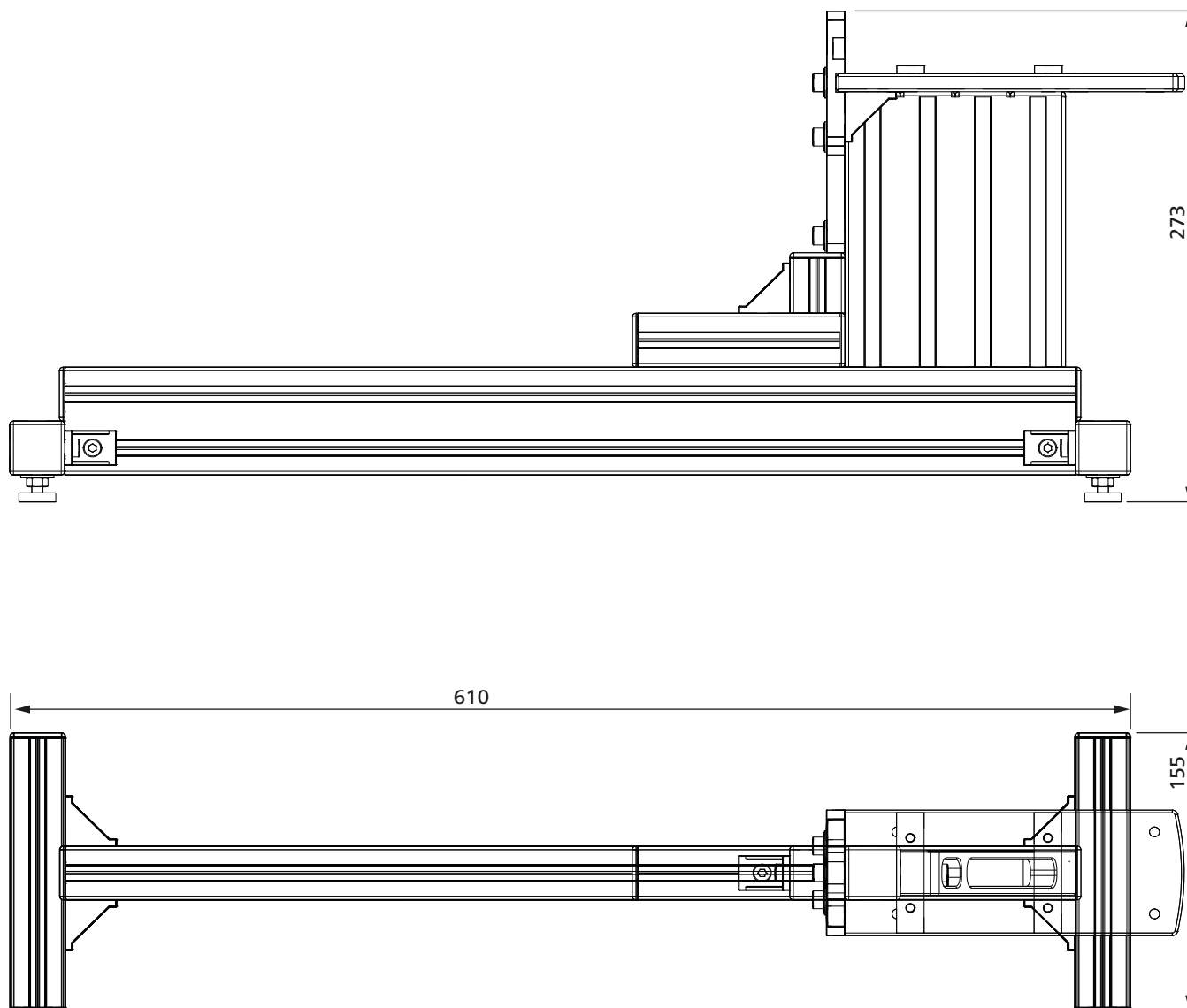
- ▶ Check the AT2000 CPK and the accessories regularly for proper function.
- ▶ Dispose of material waste after measurement.
- ▶ Check electrical wiring for damage.
- ▶ Replace faulty wires immediately.

7.3 Cleaning the force measurement device

- ▶ Check the force measurement device CPK regularly for correct function.
- ▶ Clean the force measurement device CPK with a damp cloth.

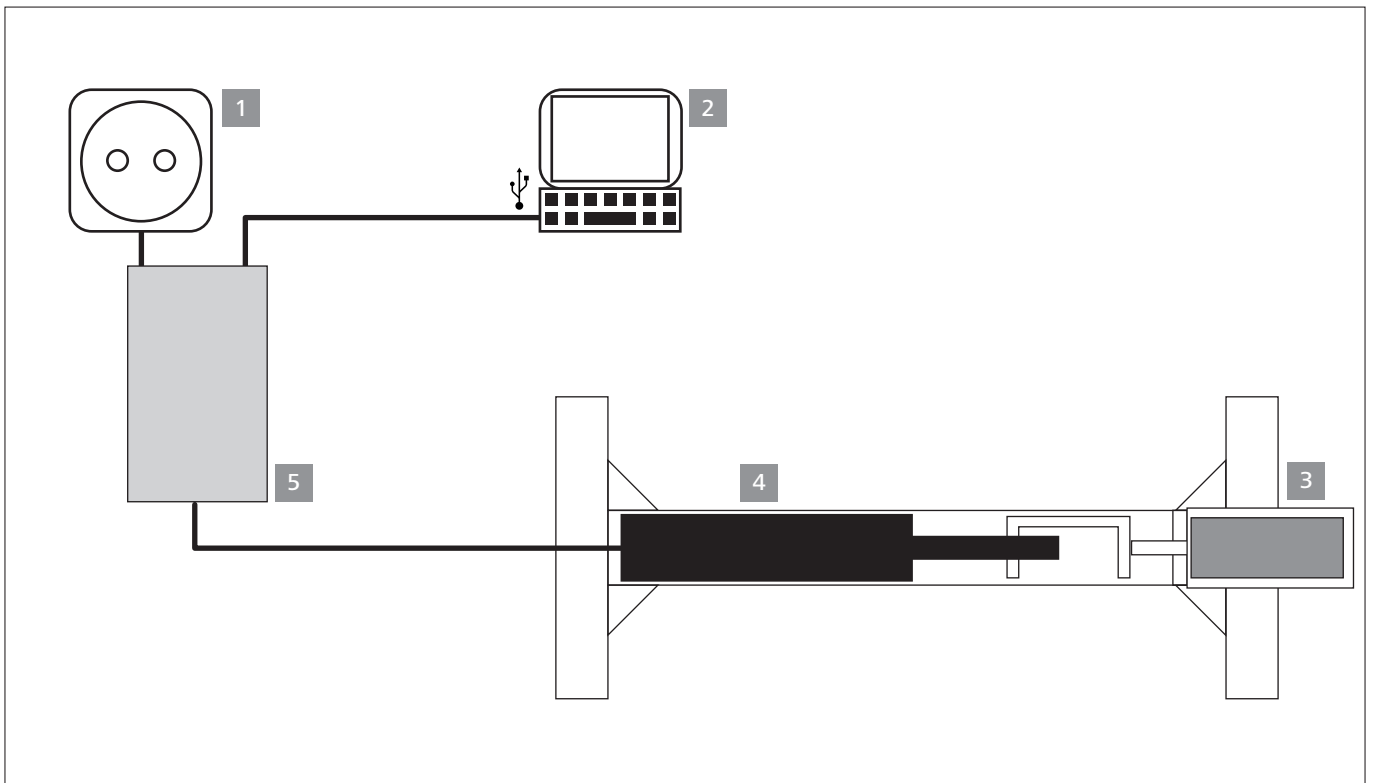
8 Technical data

8.1 Device



Weight of base frame	approx. 2.5 kg
Weight with grip mount (106-29010)	approx. 3.7 kg
Weight with Robot adapter CPK (106-29011)	approx. 3.1 kg

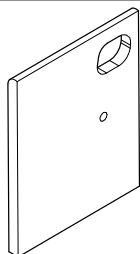
8.2 Connection plan



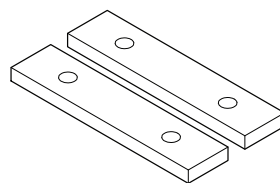
- 1 Power supply for CPK power pack
- 2 PC with installed HT Data Management software
- 3 Manual force measuring device
- 4 AT2000 CPK
- 5 Power pack CPK

9 Spare parts

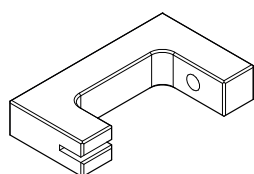
i Spare parts and accessories can be ordered directly from your national HellermannTyton representative,
 → website www.HellermannTyton.com.



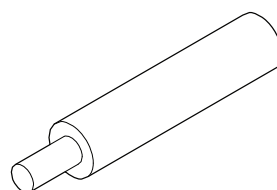
Cover 106-49010



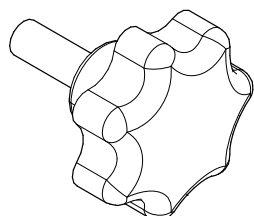
Support rails MI&T (set of 2) 106-46033



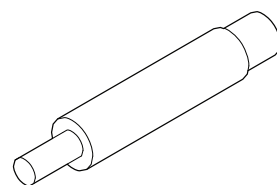
Tie bracket 106-49013



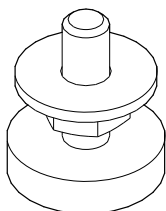
Drawbar MI&T 106-46034



Fixing screw 120-90983



Drawbar Chatillon 106-46032



Device base, complete 123-90114

EC - CONFIRMATION

FORCE MEASUREMENT DEVICE CPK 106-29010 und 106-29011

(only in joint operation with AUTOTOOLSYSTEM AT2000 CPK 106-00000)

Manufacturer: **HellermannTyton GmbH**
Street: Großer Moorweg 45
Postal Code / City: 25436 Tornesch
Country: Germany
Telefon: +49 4122/701-1
Fax: +49 4122/701-400

We herewith declare, that the design and construction of the product:

Name: Force Measurement Device CPK

Product Type: Measurement Device

Machine Type: Mechanical Measurement Device

Serial Number: _____

meets the elementary safety and health requirements of the EC rules:

- Machinery Directive 2006/42/EC
- Low Voltage Directive 2014/35/EU

The following harmonized standards have been applied accordingly:

- EN 60745-1:2000 + A11:2010

Tornesch, 03.09.2018

HellermannTyton GmbH

i. V.



Martin Burmeister
Safety Engineer

i. V.



Hagen Spiess
Leader Product Development

This confirmation corresponds to a manufacturer declaration in terms of the EC machine rule 2006/42/EG, annex II A. Any alterations of the described product makes this declaration invalid.

Inhaltsverzeichnis

1	Benutzerhinweise	17		
1.1	Angaben zum Produkt	17	5.2.1	Grundgestell aufstellen und ausrichten 21
1.2	Gewährleistung	17	5.2.2	Handkraftmessgerät montieren 21
1.3	Kontaktdaten	17	5.2.3	AT2000 CPK montieren 21
1.4	Angaben zur Montageanleitung	17	5.3	Kraftmessvorrichtung mit Roboter Adapter CPK montieren 22
1.5	Urheber- und Schutzrechte	17	5.3.1	Grundgestell aufstellen und ausrichten 22
1.6	Aufbewahrung und Weitergabe der Anleitung	17	5.3.2	Handkraftmessgerät montieren 22
1.7	Zielgruppe der Anleitung	17	5.3.3	AT2000 CPK montieren 23
1.8	Allgemeine Angaben	17	5.4	AT2000 CPK anschließen 23
1.9	Konventionen für diese Anleitung	17	5.5	HT Data Management installieren 23
1.9.1	Klassifizierung der Warnhinweise	17	6	Bedienung
1.9.2	Sonstige Hinweise zur Textdarstellung	17	6.1	Abstand des AT2000 CPK einstellen 24
2	Sicherheitshinweise	18	6.2	Messung durchführen 24
2.1	Allgemeine Sicherheitshinweise für Elektrowerkzeuge	18	6.3	Daten auswerten 24
2.2	Bestimmungsgemäße Verwendung	18	7	Wartung
2.3	Bestimmungswidrige Verwendung	18	7.1	Wichtige Hinweise 25
2.4	Qualifikation des Personals	18	7.2	Allgemeine Wartungsmaßnahmen 25
2.4.1	Fachpersonal für Bedienung	18	7.3	Kraftmessvorrichtung reinigen 25
2.4.2	Fachpersonal für Instandhaltung und Wartung	18	8	Technische Daten
2.4.3	Ausgebildete Elektrofachkraft	18	8.1	Vorrichtung 26
2.4.4	Autorisierte Sachkundige für Reparatur und Prüfung	18	8.2	Anschlussplan 27
2.5	Grundsätzliche Gefahren beim Umgang mit dem AT2000 CPK oder der Kraftmessvorrichtung CPK	18	9	Ersatzteile
2.5.1	Elektrizität	18		
2.5.2	Sauberkeit am Arbeitsplatz	18		
2.5.3	Ersatzteile und Zubehör	19		
3	Aufbau und Funktion	19		
3.1	Lieferumfang	19		
3.2	Funktionsbeschreibung	20		
4	Transport, Zubehör und Lagerung	20		
4.1	Transport	20		
4.2	Zubehör	20		
4.3	Entsorgung	20		
4.4	Lagerung	20		
5	Montage	21		
5.1	Allgemeine Hinweise	21		
5.2	Kraftmessvorrichtung mit Griffaufnahme montieren	21		

1 Benutzerhinweise

Diese Anleitung ist eine wesentliche Hilfe für den ordnungsgemäßen Betrieb der Vorrichtung. Sie enthält wichtige Informationen und Sicherheitshinweise, um die Produkte sachgerecht aufzustellen, sowie bestimmungsgemäß und wirtschaftlich zu betreiben.

1.1 Angaben zum Produkt

Produktbezeichnung: Kraftmessvorrichtung CPK

Artikelnummer: 106-29010 / 106-29011

1.2 Gewährleistung

Die Gewährleistung entspricht den gesetzlichen Bestimmungen. Der Gewährleistungsanspruch gilt nur für das Land, in dem die Produkte erworben wurden. Batterien, Sicherungen und Leuchtmittel sind von der Gewährleistung ausgeschlossen.

1.3 Kontaktdaten

Hersteller der in vorliegender Anleitung beschriebenen Produkte ist:

HellermannTyton GmbH

Großer Moorweg 45

D-25436 Tornesch

Tel. +49 4122 701-0

www.HellermannTyton.de

info@HellermannTyton.de

1.4 Angaben zur Montageanleitung

Letzte Änderung: 05.06.2018

1.5 Urheber- und Schutzrechte

Das Urheberrecht dieser Anleitung verbleibt beim Hersteller. Kein Teil dieser Anleitung darf in irgendeiner Form ohne die schriftliche Genehmigung der HellermannTyton GmbH (nachfolgend HellermannTyton genannt) reproduziert oder unter Verwendung elektronischer Systeme verarbeitet, vervielfältigt oder verbreitet werden.

Handlungen, die den o.g. Angaben widersprechen, verpflichten zu Schadensersatz.

1.6 Aufbewahrung und Weitergabe der Anleitung

Diese Anleitung muss in unmittelbarer Nähe des Arbeitsplatzes aufbewahrt werden und dem gesamten Personal jederzeit zur Verfügung stehen. Der Betreiber muss das Personal über den Aufbewahrungsort dieser Anleitung informieren. Wenn die Anleitung nicht mehr gut lesbar ist, muss der Betreiber beim Hersteller Ersatz beschaffen.

Bei Übergabe oder Weiterverkauf der Kraftmessvorrichtung CPK an Dritte müssen folgende Dokumente an den neuen Besitzer weitergegeben werden:

- diese Anleitung
- Unterlagen über Reparaturarbeiten
- Nachweise über Wartungsarbeiten

1.7 Zielgruppe der Anleitung

Die Anleitung muss von jeder Person gelesen und beachtet werden, die mit einer der folgenden Arbeiten betraut ist:

- Montage
- Betrieb
- Wartung
- Reparatur
- Störungsbeseitigung

1.8 Allgemeine Angaben

Alle beigefügten Zeichnungen unterliegen nicht dem Änderungsdienst.

1.9 Konventionen für diese Anleitung

1.9.1 Klassifizierung der Warnhinweise

Warnhinweise in der Anleitung warnen vor Gefahren im Umgang mit dem Gerät und geben Hinweise zu deren Vermeidung.

Jede Nichtbeachtung kann Unfälle mit tödlichem Ausgang, Verletzungen oder Sachschäden zur Folge haben.

Die Warnhinweise sind nach der Schwere der Gefahr klassifiziert und in drei Gruppen unterteilt:

GEFAHR

Texte mit dem Signalwort „GEFAHR“ weisen auf gefährliche Situationen hin, die bei Nichtbeachtung den Tod oder schwere Verletzungen verursachen werden.

WARNUNG

Texte mit dem Signalwort „WARNUNG“ weisen auf gefährliche Situationen hin, die bei Nichtbeachtung den Tod oder schwere Verletzungen verursachen können.

VORSICHT

Texte mit dem Signalwort „VORSICHT“ weisen auf gefährliche Situationen hin, die bei Nichtbeachtung leichte Verletzungen verursachen können.

1.9.2 Sonstige Hinweise zur Textdarstellung

- ▶ Kennzeichnung für eine Anweisung
- Kennzeichnung für eine Aufzählung
- Handlungsergebnis

Text, der → *auf diese Weise hervorgehoben ist*, kennzeichnet Querverweise.

HINWEIS

Texte mit dem Signalwort „HINWEIS“ weisen auf Situationen hin, die bei Nichtbeachtung Schäden am AT2000 CPK oder der Kraftmessvorrichtung CPK verursachen können.



Texte mit diesem Symbol enthalten Hinweise zum Umweltschutz.




Texte mit diesem Symbol enthalten zusätzliche Informationen.

2 Sicherheitshinweise

i Die Sicherheitshinweise in der Betriebsanleitung des AT2000 CPK gelten auch für den Betrieb des AT2000 CPK nach der Montage in die Kraftmessvorrichtung CPK.

2.1 Allgemeine Sicherheitshinweise für Elektrowerkzeuge

 WARNUNG
<p>Nichtbeachtung der folgenden Sicherheitshinweise kann zu schweren Verletzungen, Brand und Stromschlag führen.</p> <ul style="list-style-type: none"> ▶ Befolgen Sie die folgenden Anweisungen und Warnungen. ▶ Halten Sie die Betriebsanleitung des AT2000 CPK griffbereit.

2.2 Bestimmungsgemäße Verwendung

Die Kraftmessvorrichtung CPK in einwandfreiem und sicherem Zustand, sicherheitsbewusst und gefahrenbewusst betreiben.

Die Kraftmessvorrichtung CPK ist mit integriertem AT2000 CPK für folgende Einsätze geeignet und bestimmt:

- Messen der linearen Zugkraft am Kabelbinder
- Gebrauch ausschließlich für den Innenbereich
- Industrieller Gebrauch

2.3 Bestimmungswidrige Verwendung

Jegliche Benutzung, die nicht im Kapitel „Bestimmungsgemäße Verwendung“ genannt ist, gilt als bestimmungswidrig. Für hieraus resultierende Schäden haftet allein der Betreiber der Vorrichtung.

Darüber hinaus gelten die Sicherheitsbestimmungen des AT2000 CPK (siehe Betriebsanleitung des AT2000 CPK).

Insbesondere folgende Nutzung ist nicht zulässig:

- Nutzung mit defekten Teilen
- Nutzung in explosions- oder feuergefährlicher Umgebung
- Nutzung im Außenbereich
- Nutzung bei hoher Feuchtigkeit und/oder direkter Sonneneinstrahlung
- manuelle Eingriffe während der laufenden Prozesse
- eigenmächtige Veränderungen und Modifikationen an der Vorrichtung und deren Bestandteilen ohne Zustimmung von HellermannTyton
- Einsatz von Ersatzteilen und Zubehör, welche nicht von HellermannTyton geprüft und freigegeben wurden

2.4 Qualifikation des Personals

Minderjährige oder Personen in der Ausbildung dürfen die Arbeiten nur unter Aufsicht einer erfahrenen Fachkraft und nach ausdrücklicher Erlaubnis des Betreibers durchführen.

2.4.1 Fachpersonal für Bedienung

Dem Fachpersonal für erweiterten Betrieb werden folgende Befugnisse und Aufgaben zugewiesen:

- Bedienung der Produkte
- Beseitigung von Störungen bzw. Einleiten von Maßnahmen zur Beseitigung von Störungen
- Reinigung der Produkte

Dieses Personal bietet aufgrund seiner fachlichen Ausbildung oder praktischen Erfahrung die Gewährleistung für eine sachgerechte Handhabung.

2.4.2 Fachpersonal für Instandhaltung und Wartung

Instandhaltung und Wartung nur durch qualifiziertes Fachpersonal durchführen lassen. Dieses Personal hat aufgrund seiner fachlichen Ausbildung ausreichende Kenntnisse über das AT2000 CPK oder die Kraftmessvorrichtung CPK und kann einen arbeitssicheren Zustand beurteilen.

Des Weiteren ist das Personal mit folgenden Regeln und Vorschriften vertraut:

- einschlägige staatliche Arbeitsschutzvorschriften
- Unfallverhütungsvorschriften
- allgemein anerkannte Regeln der Technik, Bestimmungen und Normen

2.4.3 Ausgebildete Elektrofachkraft

Arbeiten an der elektrischen Versorgung und an stromführenden Bauteilen nur durch eine ausgebildete Elektrofachkraft durchführen lassen.

2.4.4 Autorisierte Sachkundige für Reparatur und Prüfung

Reparaturen und sicherheitstechnische Überprüfungen dürfen nur durch einen Servicetechniker von HellermannTyton oder einem von HellermannTyton autorisierten Servicetechniker durchgeführt werden.

2.5 Grundsätzliche Gefahren beim Umgang mit dem AT2000 CPK oder der Kraftmessvorrichtung CPK

2.5.1 Elektrizität

- ▶ Beim Arbeiten stets eine Schutzbrille und geeignete Schutzausrüstung tragen.
- ▶ Vor Montagearbeiten, Reinigung und Wartung das AT2000 CPK und das Netzgerät CPK spannungsfrei schalten.

2.5.2 Sauberkeit am Arbeitsplatz

Ordnung, gute Beleuchtung und Sauberkeit am Arbeitsplatz erleichtern das Arbeiten, minimieren die Gefahren und das Verletzungsrisiko.

Folgende Grundsätze zur Ordnung und Sauberkeit am Arbeitsplatz einhalten:

- ▶ Nicht mehr benötigtes Werkzeug wegräumen.
- ▶ Stolperstellen vermeiden (z.B. Abfälle sofort in dafür vorgesehene Behälter werfen).

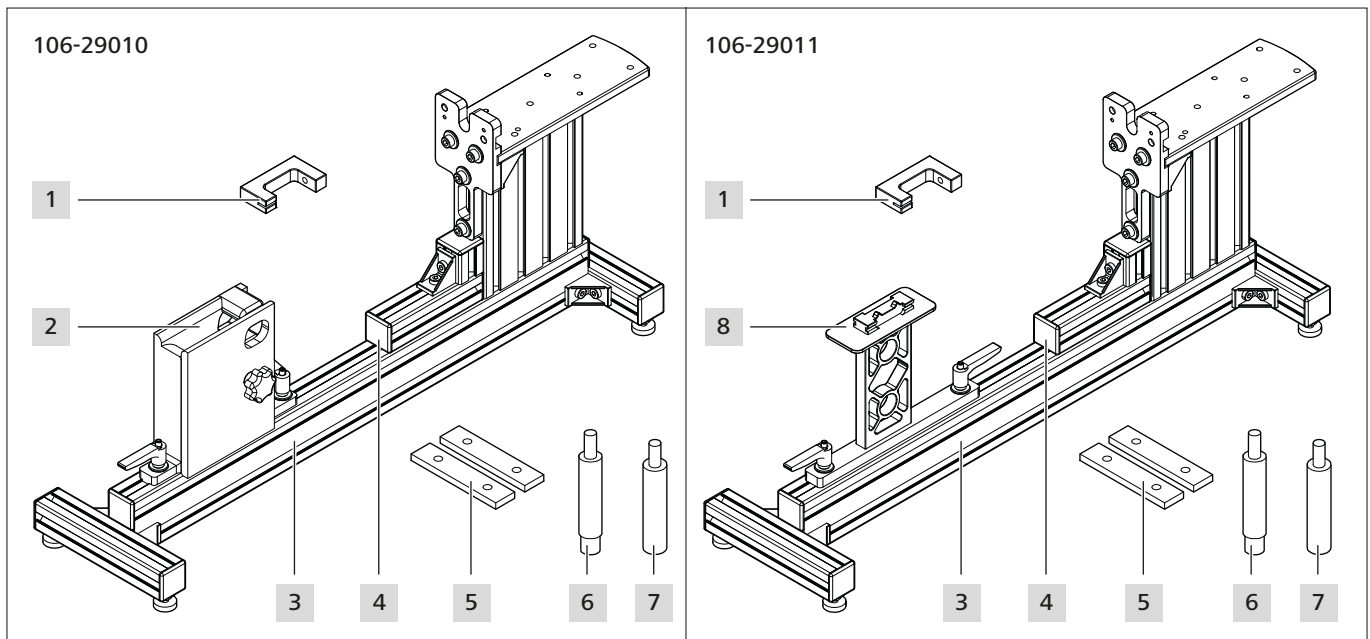
- ▶ Verunreinigungen durch Fette, Öle und andere Flüssigkeiten sofort beseitigen.
- ▶ Verunreinigungen auf den Bedienfeldern des AT2000 CPK vermeiden.

2.5.3 Ersatzteile und Zubehör

- Es dürfen nur Original-Ersatzteile verwendet werden.
- Wenn Teile ersetzt werden, deren Funktion anschließend überprüfen.
- Ausschließlich Zubehör verwenden, das von HellermannTyton freigegeben ist, da der Einsatz von Zubehör die Arbeit mit dem AT2000 CPK oder der Kraftmessvorrichtung CPK verändern kann.

3 Aufbau und Funktion

3.1 Lieferumfang

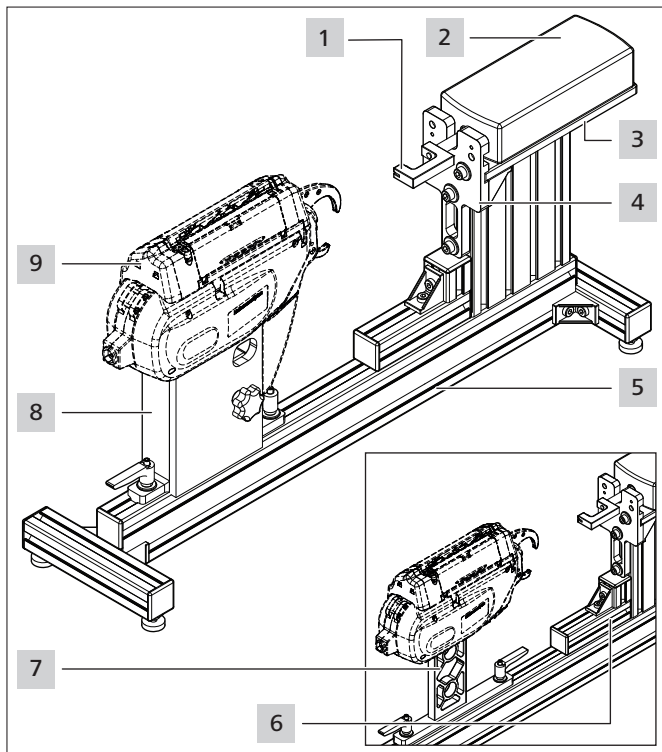


- 1 Bandaufnahme
- 2 Griffaufnahme
- 3 Grundgestell
- 4 Anschlag
- 5 Unterlegleisten (nur für Handkraftmessgerät der Firma MI&T GmbH)
- 6 Zugstange Chatillon
- 7 Zugstange MI&T
- 8 Roboter Adapter CPK

i Das Handkraftmessgerät mit Schrauben ist nicht Bestandteil des Lieferumfangs.
HellermannTyton empfiehlt ein Handkraftmessgerät der Firma Ametek GmbH oder der Firma MI&T GmbH.

i Das AT2000 CPK und das Netzgerät CPK sind nicht Bestandteil des Lieferumfangs.

3.2 Funktionsbeschreibung



- 1 Bandaufnahme
- 2 Handkraftmessgerät
- 3 Grundplatte Handkraftmessgerät
- 4 Grundplattenhalter
- 5 Grundgestell
- 6 Anschlag
- 7 Roboter Adapter CPK
- 8 Griffaufnahme
- 9 AT2000 CPK

Mit der Kraftmessvorrichtung CPK wird die am Kabelbinder linear wirkende Zugkraft gemessen. Das AT2000 CPK **9** ist mit einer Griffaufnahme **8** oder einem Roboter Adapter CPK **7** am Grundgestell **5** befestigt. Der Anschlag **6** dient als Abstandshalter zur Griffaufnahme **8**.

Für den Messvorgang wird ein Kabelbinder in die Nut der Bandaufnahme **1** eingefädelt und ein Spannschritt ausgelöst. Der Spannmotor des AT2000 CPK erzeugt dadurch eine lineare Zugkraft auf das Handkraftmessgerät **2**, das auf der Grundplatte **3** am Grundgestell **5** befestigt ist. Die gemessene Zugkraft wird an das Handkraftmessgerät **2** übertragen und kann manuell in der Software HT Data Management eingetragen werden, → „Daten auswerten“ auf Seite 24.

4 Transport, Zubehör und Lagerung

4.1 Transport

Für den Transport der Vorrichtung den mitgelieferten Karton verwenden.

Die Komponenten der Vorrichtung sind für den Transport verpackt.

HINWEIS

Unverpackte Komponenten können beim Transport beschädigt werden.

Alle Komponenten erst vor der Montage auspacken.

4.2 Zubehör

Abhängig von der Bestellung sind folgende Bauteile Bestandteil des Lieferumfangs:

Name	Artikelnummer
Bedienungsanleitung	102-01002

4.3 Entsorgung

Der Betreiber ist verpflichtet, das gelieferte AT2000 CPK und die Komponenten einschließlich des Zubehörs nach Beendigung der Nutzung ordnungsgemäß zu entsorgen. Die Entsorgung des AT2000 CPK, einzelner Komponenten sowie der Betriebs- und Hilfsstoffe unterliegt zum Teil gesetzlichen Regelungen.

Genaue Informationen geben die zuständigen örtlichen Behörden.

- ▶ Verpackung entsprechend den geltenden Entsorgungs- und Umweltvorschriften entsorgen.
- ▶ Das zu entsorgende Gut, Produktionsabfälle sowie Betriebsstoffe nur an autorisierten Annahmestellen abliefern.
- ▶ Bei Unklarheiten zur Entsorgung den Hersteller kontaktieren.

4.4 Lagerung

- ▶ Kraftmessvorrichtung CPK kühl und trocken lagern.
- ▶ Direkte Sonneneinstrahlung vermeiden.
- ▶ Elektronische Bauteile (z. B. AT2000 CPK und Netzgerät CPK) stoßfest verpackt und getrennt vom Zubehör lagern.
- ▶ Zur Lagerung des Zubehörs die entsprechenden Datenblätter beachten.

5 Montage

5.1 Allgemeine Hinweise

i In dieser Dokumentation wird die Montage des Handkraftmessgeräts der Firma Ametek GmbH dargestellt.

Benötigtes Werkzeug

- Sechskantschlüssel SW10
- Wasserwaage
- Schraubendreher PH1
- Innensechskantschlüssel SW2,5, SW3, SW5

Sicherheit



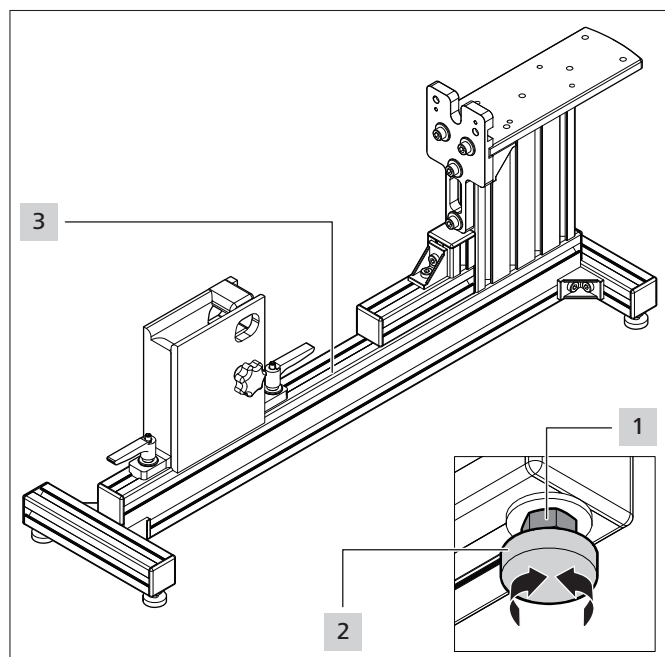
VORSICHT

Quetschgefahr durch schließende Zangen

- ▶ Montagearbeiten nur bei ausgeschaltetem Netzgerät CPK durchführen.

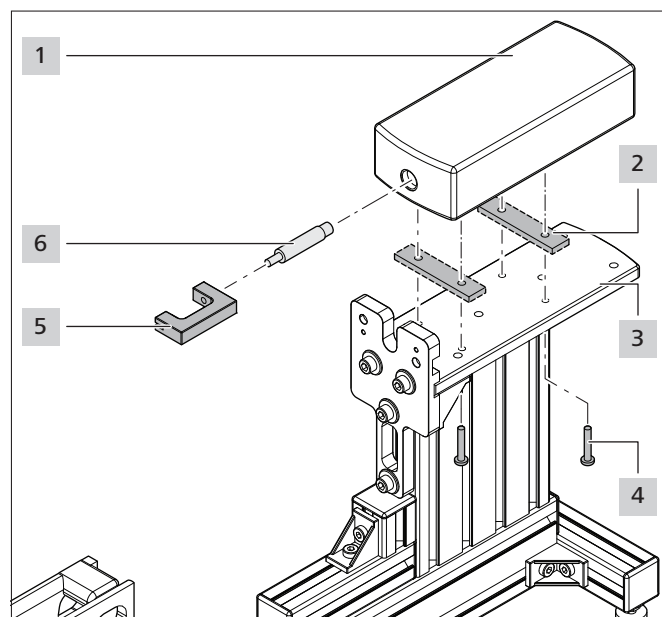
5.2 Kraftmessvorrichtung mit Griffaufnahme montieren

5.2.1 Grundgestell aufstellen und ausrichten



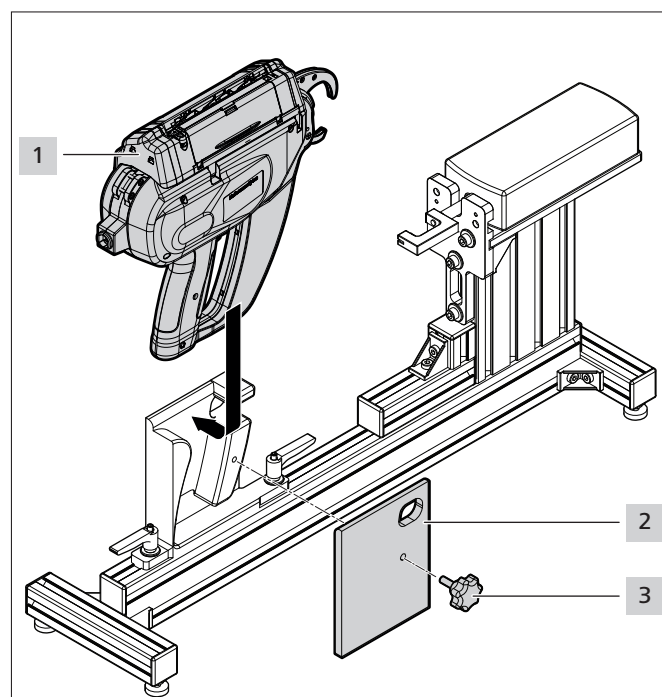
- ▶ Das Grundgestell **3** auf einer ebenen und sauberen Arbeitsfläche platzieren.
- ▶ Um das Grundgestell auszurichten, die Sechskantmutter **1** lösen und die Gerätefüße **2** hinein- oder herausdrehen.
- ▶ Die Ausrichtung mit der Wasserwaage kontrollieren.
- ▶ Die Sechskantmutter **1** anziehen.

5.2.2 Handkraftmessgerät montieren



- ▶ Die Bandaufnahme **5** auf die Zugstange **6** vorsichtig von Hand schrauben.
- ▶ Die Zugstange **6** in das Handkraftmessgerät **1** einschrauben.
- Die Bandaufnahme **5** ist waagrecht.
- ▶ Bei der Montage von Handkraftmessgeräten der Firma MI&T die beiden Unterlegleisten **2** auf die Grundplatte **3** legen.
- ▶ Die vier Schrauben **4** von unten durch die Grundplatte **3** in das Handkraftmessgerät **1** stecken.
- ▶ Das Handkraftmessgerät **1** festschrauben.

5.2.3 AT2000 CPK montieren

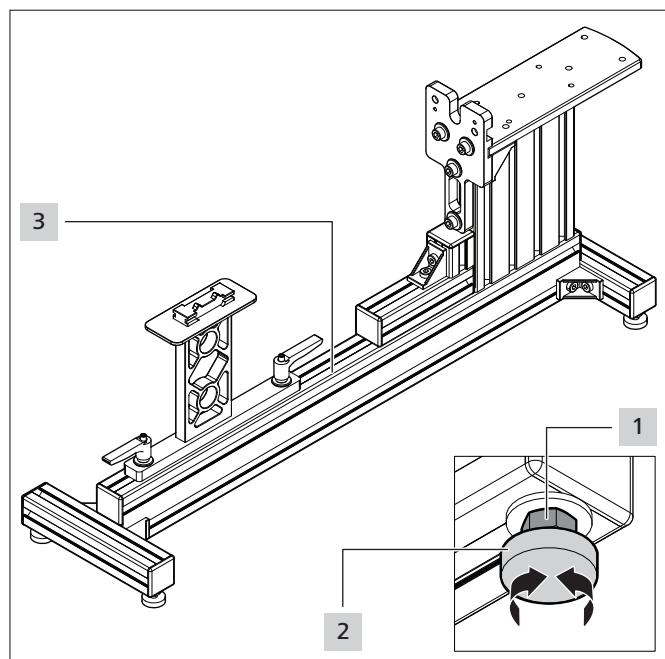


- ▶ Die Abdeckung **2** der Griffaufnahme an der Befestigungsschraube **3** lösen und abnehmen.

- ▶ Das AT2000 CPK **1** einsetzen.
- ▶ Die Abdeckung **2** schließen und die Befestigungsschraube **3** anziehen.
- ☑ Das AT2000 CPK **1** sitzt fest in der Griffaufnahme.

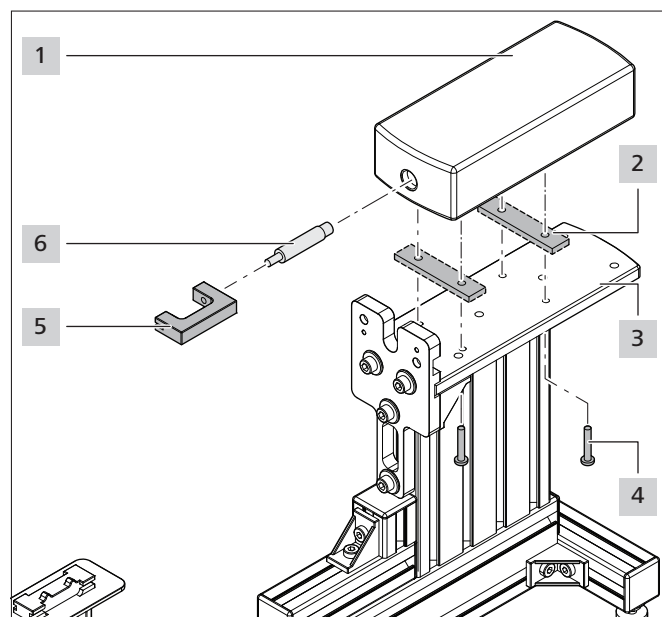
5.3 Kraftmessvorrichtung mit Roboter Adapter CPK montieren

5.3.1 Grundgestell aufstellen und ausrichten



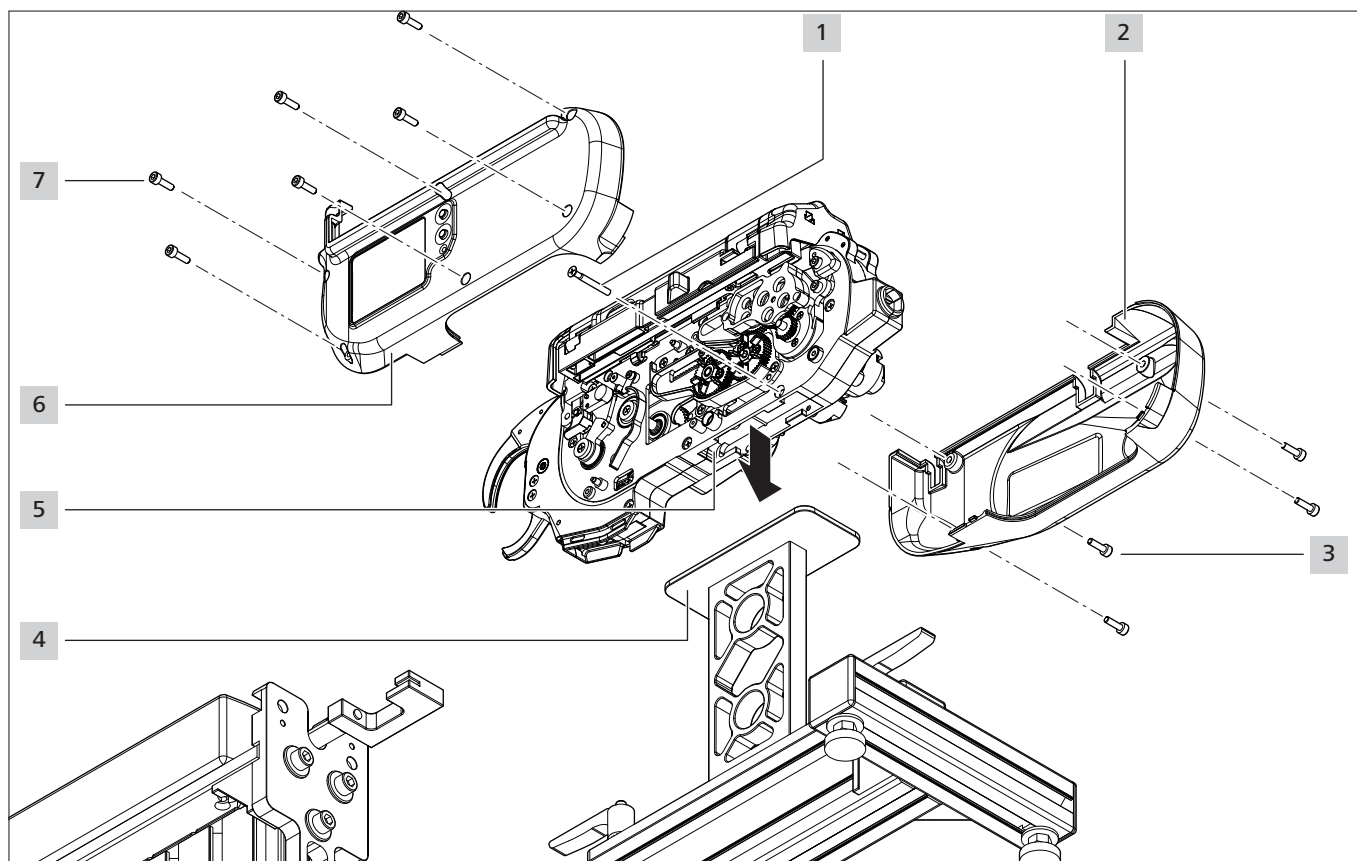
- ▶ Das Grundgestell **3** auf einer ebenen und sauberen Arbeitsfläche platzieren.
- ▶ Um das Grundgestell auszurichten, die Sechskantmutter **1** lösen und die Füße **2** hinein- oder herausdrehen.
- ▶ Die Ausrichtung mit der Wasserwaage kontrollieren.
- ▶ Die Sechskantmutter **1** anziehen.

5.3.2 Handkraftmessgerät montieren



- ▶ Die Bandaufnahme **5** auf die Zugstange **6** vorsichtig von Hand schrauben.
- ▶ Die Zugstange **6** in das Handkraftmessgerät **1** einschrauben.
- ☑ Die Bandaufnahme **5** ist waagrecht.
- ▶ Bei der Montage von Handkraftmessgeräten der Firma MIT die beiden Unterlegleisten **2** auf die Grundplatte **3** legen.
- ▶ Die vier Schrauben **4** von unten durch die Grundplatte **3** in das Handkraftmessgerät **1** stecken.
- ▶ Das Handkraftmessgerät **1** festschrauben.

5.3.3 AT2000 CPK montieren



- ▶ Das AT2000 CPK vom Roboter Adapter CPK der Fertigungsanlage demontieren, → *Automatisierungsanleitung des AT2000 CPK*.
- ☑ Das AT2000 CPK ist geöffnet und die Gehäusedeckel sind abgenommen.
- ▶ Das AT2000 CPK von oben auf den Roboter Adapter CPK **4** der Kraftmessvorrichtung setzen.
- ☑ Der Roboter Adapter CPK greift in die Nut **5** des AT2000 CPK.
- ▶ Das AT2000 CPK bis zum Anschlag nach hinten schieben.
- ▶ Die Schraube **1** einsetzen und festziehen.
- ▶ Den rechten Gehäusedeckel **2** von hinten einschieben und mit den Schrauben **3** befestigen.
- ▶ Den linken Gehäusedeckel **6** mit den Schrauben **7** befestigen.

HINWEIS**Beschädigung des AT2000 CPK**

- ▶ Das AT2000 CPK nur mit geschlossenen Gehäusedeckeln einschalten.

5.4 AT2000 CPK anschließen

- ▶ Das AT2000 CPK mit dem Netzgerät CPK verbinden, → *Betriebsanleitung des AT2000 CPK*.
- ▶ Das Netzgerät CPK mit der Spannungsversorgung verbinden.
- ▶ Das Netzgerät CPK mit dem PC verbinden, → „Anschlussplan“ auf Seite 27.

5.5 HT Data Management installieren

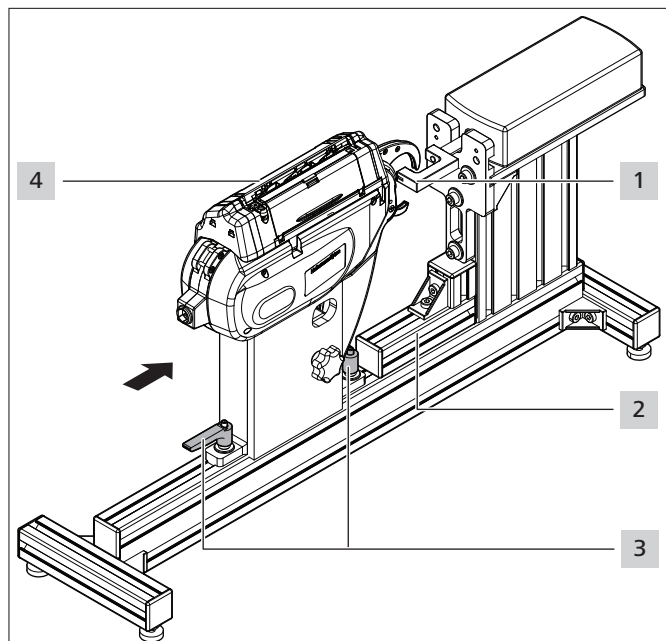
Die Software HT Data Management wird mit dem AT2000 CPK geliefert und muss auf einem PC installiert werden.

Die Anleitung zur Installation der Software finden Sie in der Betriebsanleitung, → *Betriebsanleitung des AT2000 CPK*.

6 Bedienung

6.1 Abstand des AT2000 CPK einstellen

Gegebenenfalls muss der Abstand zwischen dem AT2000 CPK und dem Handkraftmessgerät eingestellt werden.



- ▶ Die Klemmhebel **3** lösen und die Griffaufnahme mit dem AT2000 CPK **4** an den Anschlag **2** schieben.
- Die Zangen des AT2000 CPK **4** greifen um den Arm **1** der Bandaufnahme.
- ▶ Die Klemmhebel **3** anziehen.

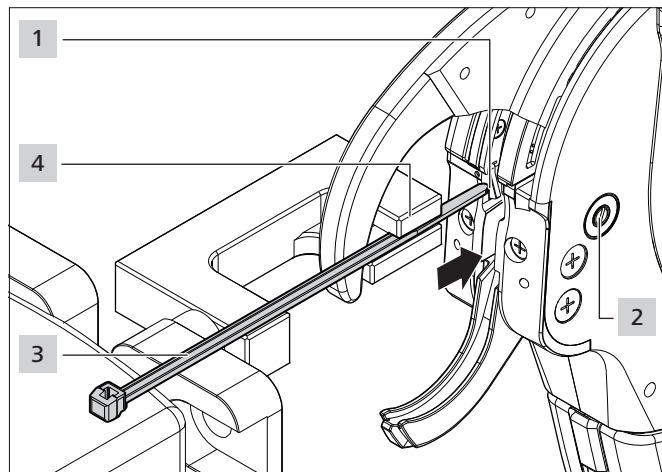
6.2 Messung durchführen

VORSICHT

**Kabelbinder wird eingezogen.
Quetschgefahr an der Bandaufnahme**

- ▶ Den Kabelbinder beim Messvorgang nicht anfassen.

i Zur Verwendung der Messumgebung HT Data Management, → „Daten auswerten“ auf Seite 24



- ▶ Einen Kabelbinder T18RA **3** bis zum Kabelbinderkopf durch die Nut **4** der Bandaufnahme fädeln.
- ▶ Den Kabelbinder in die Öffnung **1** des AT2000 CPK einführen. Gegebenenfalls Schraubendreher am Spannritzel **2** verwenden.
- ▶ In der Software HT Data Management den Reiter **Messumgebung** wählen.
- ▶ Den **Einzugsmodus** wählen.
- Der Kabelbinder **3** wird eingezogen und erzeugt eine Zugkraft am Handkraftmessgerät.
- Das Handkraftmessgerät zeigt die gemessene Zugkraft.
- ▶ Gegebenenfalls einen neuen Kabelbinder einsetzen und eine weitere Abbindung durchführen.

6.3 Daten auswerten

Parallel zur Messung mit dem Handkraftmessgerät können die Messwerte in der Software HT Data Management eingetragen werden.


Diese Daten werden im Menü **Messumgebung** angezeigt.

- ▶ Die Software HT Data Management starten.
- ▶ Das Menü **Messumgebung** wählen.
- ▶ Die Messwerte des Handkraftmessgeräts in das Feld **Ermittelte Kraft** eintragen.
- ▶ Zum Export, sowie zur Auswertung und Bearbeitung der Messwerte, die Betriebsanleitung des AT2000 CPK beachten, → *Betriebsanleitung des AT2000 CPK*.

7 Wartung

7.1 Wichtige Hinweise

Um die sichere Funktion des AT2000 CPK zu gewährleisten, muss es einer regelmäßigen Wartung unterzogen werden,
→ *Betriebsanleitung des AT2000 CPK, Kapitel Wartung*

 VORSICHT
Quetschgefahr durch schließende Zangen
<ul style="list-style-type: none">▶ Finger nicht zwischen Ober- und Unterzange schieben.▶ Wartungsarbeiten bei ausgeschaltetem Netzgerät CPK durchführen.

7.2 Allgemeine Wartungsmaßnahmen

i Die Wartungsmaßnahmen für das AT2000 CPK und das Netzgerät CPK sind in der Betriebsanleitung des AT2000 CPK beschrieben, → *Betriebsanleitung des AT2000 CPK, Kapitel Wartung*.

- ▶ Das AT2000 CPK und das Zubehör regelmäßig auf einwandfreie Funktion kontrollieren.
- ▶ Nach dem Messen den Materialabfall entsorgen.
- ▶ Elektrische Leitungen auf Schäden kontrollieren.
- ▶ Beschädigte elektrische Leitungen umgehend austauschen.

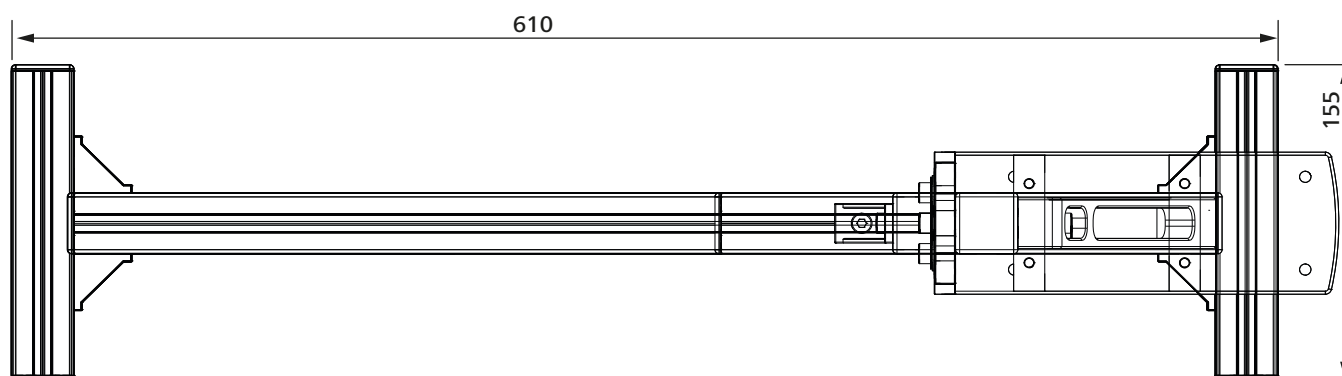
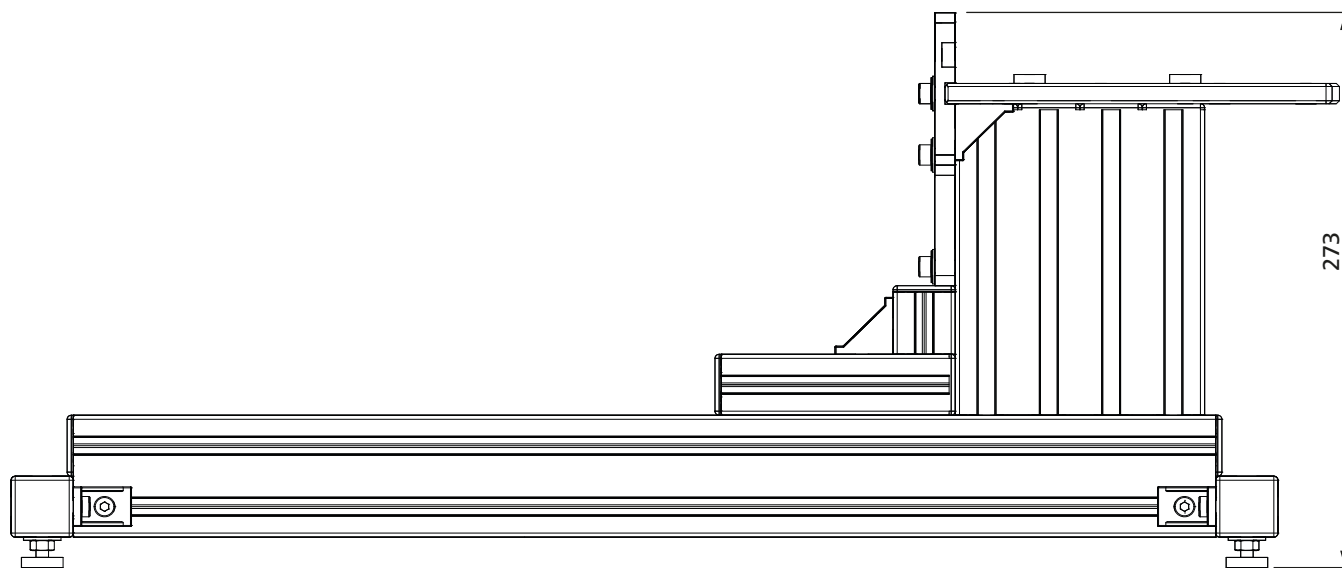
7.3 Kraftmessvorrichtung reinigen

- ▶ Die Kraftmessvorrichtung CPK regelmäßig auf einwandfreie Funktion kontrollieren.
- ▶ Die Kraftmessvorrichtung CPK mit einem feuchtem Tuch reinigen.

8 Technische Daten

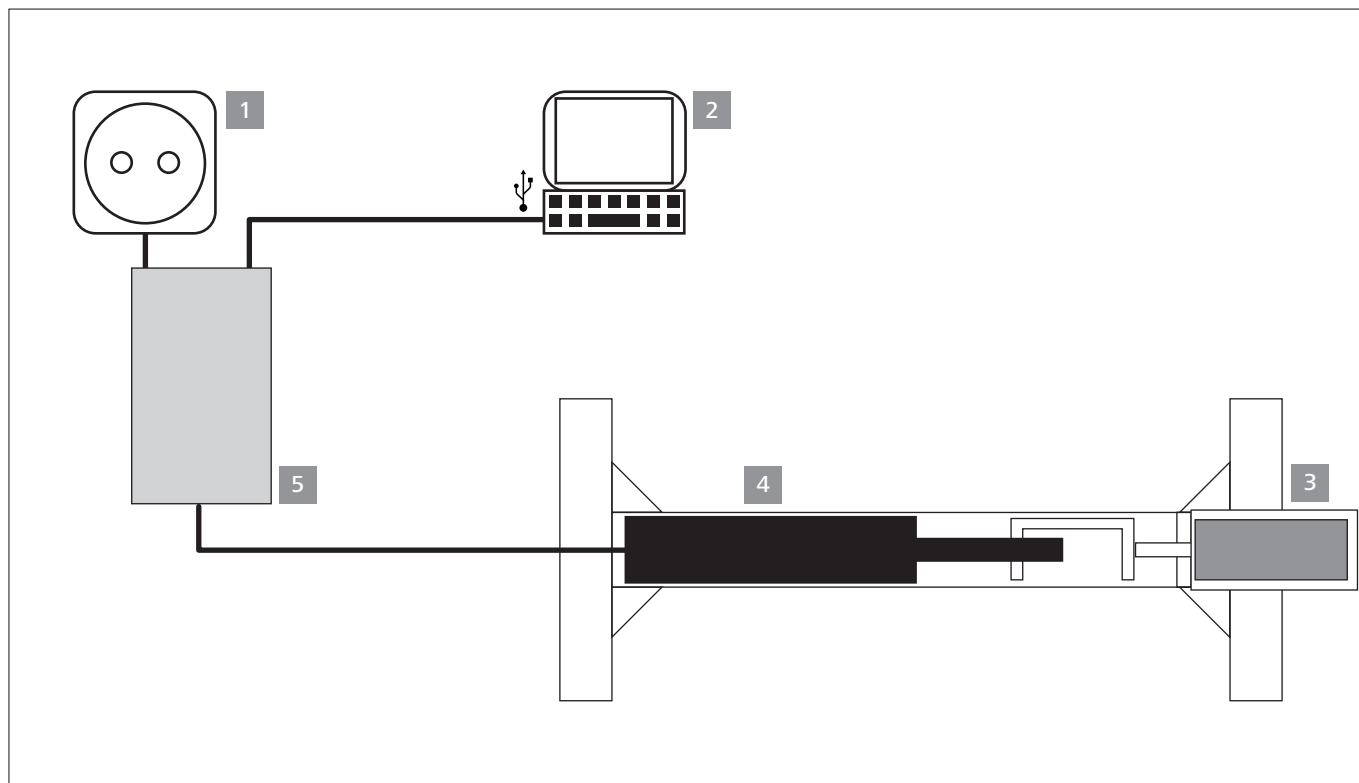
8.1 Vorrichtung

GB
DE



Gewicht Grundgestell	ca. 2,5 kg
Gewicht mit Griffaufnahme (106-29010)	ca. 3,7 kg
Gewicht mit Roboter Adapter CPK (106-29011)	ca. 3,1 kg

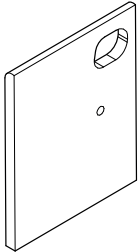
8.2 Anschlussplan



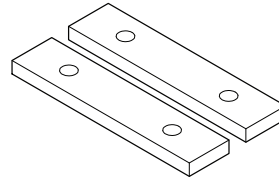
- 1 Spannungsversorgung Netzgerät CPK
- 2 PC mit installierter Software HT Data Management
- 3 Handkraftmessgerät
- 4 AT2000 CPK
- 5 Netzgerät CPK

9 Ersatzteile

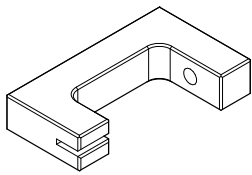
i Ersatzteile und Zubehör können direkt über die jeweilige HellermannTyton Landesvertretung bezogen werden,
 → Internetseite www.HellermannTyton.de.



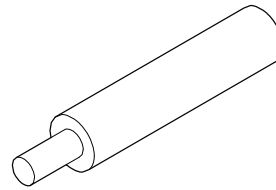
Abdeckung 106-49010



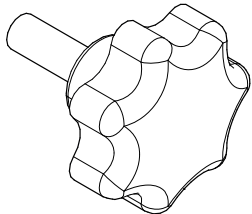
Unterlegleisten MI&T (Paar) 106-46033



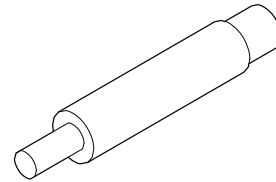
Bandaufnahme 106-49013



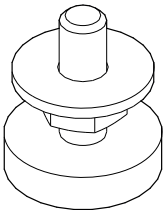
Zugstange MI&T 106-46034



Befestigungsschraube 120-90983



Zugstange Chatillon 106-46032



Gerätefuß kpl. 123-90114

EG-Konformitätserklärung

KRAFTMESSVORRICHTUNGEN CPK 106-29010 und 106-29011

nur im gemeinsamen Betrieb mit AUTOTOOLSYSTEM AT2000 CPK 106-00000

Hersteller: **HellermannTyton GmbH**
Straße: **Großer Moorweg 45**
PLZ/Ort: **25436 Tornesch**
Telefon: **+49 4122/701-1**
Telefax: **+49 4122/701-400**

Wir erklären, dass das von uns in Verkehr gebrachte Erzeugnis

Name: **KRAFTMESSVORRICHTUNGEN CPK**

Produktart: **Messvorrichtung**

Maschinentyp: **mechanische Messvorrichtung**

Seriennummer: _____

hinsichtlich Konzipierung und Bau den grundlegenden Sicherheits- und Gesundheitsanforderungen der nachstehend aufgeführten EG-Richtlinien entspricht:

Maschinenrichtlinie 2006/42/EG
Niederspannungsrichtlinie 2014/35/EU

Hierfür wurden nachstehende harmonisierte Normen angewandt:

EN60745-1:2000 + A11:2010

Tornesch, 03.09.2018

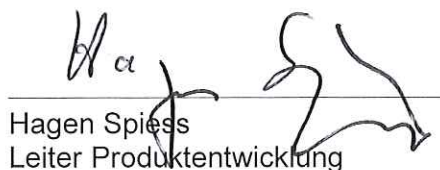
HellermannTyton GmbH

i. V.



Martin Burmeister
Sicherheitsingenieur

i. V.




Hagen Spiess
Leiter Produktentwicklung


Diese Erklärung entspricht einer Herstellererklärung im Sinne der EG-Richtlinie für Maschinen 2006/42/EG, Anhang II A. Etwaige Änderungen an dem oben beschriebenen Erzeugnis lassen die Gültigkeit dieser Erklärung erlöschen.

HellermannTyton operates globally in 37 countries




Europe

 **HellermannTyton GmbH – Austria**
Rennbahnweg 65
1220 Vienna
Tel.: +43 12 59 99 55-0
Fax: +43 12 59 99 11
Email: office@HellermannTyton.at
www.HellermannTyton.at

 **HellermannTyton – Bulgaria**
Email: officeBG@HellermannTyton.at
www.HellermannTyton.at

 **HellermannTyton – Czech Republic**
Email: officeCZ@HellermannTyton.at
www.HellermannTyton.cz

 **HellermannTyton – Denmark**
Industrivej 44A, 1.
4000 Roskilde
Tel.: +45 702 371 20
Fax: +45 702 371 21
Email: htdk@HellermannTyton.dk
www.HellermannTyton.dk

 **HellermannTyton – Finland**
Äyritie 12 B
01510 Vantaa
Tel.: +358 9 8700 450
Fax: +358 9 8700 4520
Email: myynti@HellermannTyton.fi
www.HellermannTyton.fi

 **HellermannTyton S.A.S. – France**
2 rue des Hêtres - CS 80543
78197 Trappes Cedex
Tel.: +33 1 30 13 80 00
Fax: +33 1 30 13 80 60
Email: info@HellermannTyton.fr
www.HellermannTyton.fr

 **HellermannTyton GmbH – Germany**
Großer Moorweg 45
25436 Tornesch
Tel.: +49 4122 701-0
Fax: +49 4122 701-400
Email: info@HellermannTyton.de
www.HellermannTyton.de

 **HellermannTyton KFT – Hungary**
Kisfaludy u. 13
1044 Budapest
Tel.: +36 1 369 4151
Fax: +36 1 369 4151
Email: officeHU@HellermannTyton.at
www.HellermannTyton.hu


 **HellermannTyton Ltd – Ireland**
Unit A5 Cherry Orchard
Business Park
Ballyfermot, Dublin 10
Tel.: +353 1 626 8267
Fax: +353 1 626 8022
Email: sales@HellermannTyton.ie
www.HellermannTyton.co.uk

 **HellermannTyton S.r.l. – Italy**
Via Visco, 3/5
35010 Limena (PD)
Tel.: +39 049 767 870
Fax: +39 049 767 985
Email: info@HellermannTyton.it
www.HellermannTyton.it

 **HellermannTyton B.V. – Belgium/Netherlands**
Vanadiumweg 11-C
3812 PX Amersfoort
Tel.: +31 33 460 06 90
Fax: +31 33 460 06 99
Email (NL): info@HellermannTyton.nl
Email (BE): info@HellermannTyton.be
www.HellermannTyton.nl
www.HellermannTyton.be

 **HellermannTyton AS – Norway**
PO Box 240 Alnabru
0614 Oslo
Tel.: +47 23 17 47 00
Fax: +47 22 97 09 70
Email: firmapost@HellermannTyton.no
www.HellermannTyton.no


 **HellermannTyton Sp. z o.o. – Poland**
Kotunia 111
62-400 Słupca
Tel.: +48 63 2237 111
Fax: +48 63 2237 110
Email: info@HellermannTyton.pl
www.HellermannTyton.pl

 **HellermannTyton – Romania**
Email: officeRO@HellermannTyton.at
www.HellermannTyton.at

 **OOO HellermannTyton – Russia**
40/4, Pulkovskoe road
BC Technopolis Pulkovo, office A 8081
196158, St. Petersburg
Tel.: +7 812 386 00 09
Fax: +7 812 386 00 08
Email: info@HellermannTyton.ru
www.HellermannTyton.ru

 **HellermannTyton – Slovenia**
Branch Office Ljubljana
Podružnica Ljubljana, Ukmarjeva 2
1000 Ljubljana
Tel.: +386 1 433 70 56
Fax: +386 1 433 63 21
Email: officeSI@HellermannTyton.at
www.HellermannTyton.si

 **HellermannTyton España s.l. – Spain / Portugal**
Avda. de la Industria 37 2º 2
28108 Alcobendas, Madrid
Tel.: +34 91 661 2835
Fax: +34 91 661 2368
Email:
HellermannTyton@HellermannTyton.es
www.HellermannTyton.es

 **HellermannTyton AB – Sweden**
Isafjordsgatan 5
16440 Kista
Tel.: +46 8 580 890 00
Fax: +46 8 580 348 02
Email: kundsupport@HellermannTyton.se
www.HellermannTyton.se

 **HellermannTyton Engineering GmbH – Turkey**
Saray Mah Dr. Adnan Büyükdizeni Cad. No:4
Akkom Office Park 2. Blok Kat: 10
34768 Ümraniye-Istanbul
Tel.: +90 216 687 03 40
Fax: +90 216 250 32 32
Email: info@HellermannTyton.com.tr
www.HellermannTyton.com.tr

 **HellermannTyton Ltd – UK**
William Prance Road
Plymouth International Medical
and Technology Park
Plymouth, Devon PL6 5WR
Tel.: +44 1752 701 261
Fax: +44 1752 790 058
Email: info@HellermannTyton.co.uk
www.HellermannTyton.co.uk

 **HellermannTyton Ltd – UK**
Sharston Green Business Park
1 Robeson Way, Wythenshawe
Manchester M22 4TY
Tel.: +44 161 947 2200
Fax: +44 161 947 2220
Email: sales@HellermannTyton.co.uk
www.HellermannTyton.co.uk

 **HellermannTyton Ltd – UK**
Cley Road, Kingswood Lakeside
Cannock, Staffordshire
WS11 8AA
Tel.: +44 1543 728282
Fax: +44 1543 728284
Email: info@HellermannTyton.co.uk
www.HellermannTyton.co.uk


 **HellermannTyton Data Ltd – UK**
Waterside House, Edgar Mobbs Way
Northampton NN5 5JE
Tel.: +44 1604 707 420
Fax: +44 1604 705 454
Email: sales@htdata.co.uk
www.htdata.co.uk

Middle East

 **HellermannTyton – UAE**
Email: info@HellermannTyton.ae
www.HellermannTyton.ae

North America

 **HellermannTyton – Canada**
Tel.: +1 905 726 1221
Fax: +1 905 726 8538
Email: sales@HellermannTyton.ca
www.HellermannTyton.ca

 **HellermannTyton – Mexico**
Tel.: +52 333 133 9880
Fax: +52 333 133 9861
Email: info@HellermannTyton.com.mx
www.HellermannTyton.com

 **HellermannTyton – USA**
Tel.: +1 414 355 1130
Fax: +1 414 355 7341
Email: corp@htamericas.com
www.HellermannTyton.com

South America


 **HellermannTyton – Argentina**
Tel.: +54 11 4754 5400
Fax: +54 11 4752 0374
Email: ventas@HellermannTyton.com.ar
www.HellermannTyton.com.ar


 **HellermannTyton – Brazil**
Tel.: +55 11 4815 9000
Fax: +55 11 4815 9030
Email: vendas@HellermannTyton.com.br
www.HellermannTyton.com.br


Asia-Pacific


 **HellermannTyton – Australia**
Tel.: +61 2 9525 2133
Fax: +61 2 9526 2495
Email: cservice@HellermannTyton.com.au
www.HellermannTyton.com.au

 **HellermannTyton – China**
Tel.: +86 510 8528 2536
Fax: +86 510 8528 2731
Email: cservice@HellermannTyton.com.cn
www.HellermannTyton.com.cn


 **HellermannTyton – Hong Kong**
Tel.: +852 2831 9090
Fax: +852 2832 9381
Email: cservice@HellermannTyton.com.hk
www.HellermannTyton.com.sg


 **HellermannTyton – India**
Tel.: +91 120 413 3384
Email: cservice@HellermannTyton.co.in
www.HellermannTyton.co.in

 **HellermannTyton – Japan**
Tel.: +81 3 5790 3111
Fax: +81 3 5790 3112
Email: mkt@hellermannTyton.co.jp
www.HellermannTyton.co.jp


 **HellermannTyton – Republic of Korea**
Tel.: +82 32 833 8012
Fax: +82 32 833 8013
Email: cservice@HellermannTyton.co.kr
www.HellermannTyton.co.kr

 **HellermannTyton – Philippines**
Tel.: +63 2 752 6551
Fax: +63 2 752 6553
Email: cservice@HellermannTyton.com.ph
www.HellermannTyton.com.ph

 **HellermannTyton – Singapore**
Tel.: +65 6 586 1919
Fax: +65 6 752 2527
Email: cservice@HellermannTyton.sg
www.HellermannTyton.com.sg

 **HellermannTyton – Thailand**
Tel.: +662 237 6702 / 266 0624
Fax: +662 266 8664
Email: cservice@HellermannTyton.co.th
www.HellermannTyton.com.sg

Africa

 **HellermannTyton – South Africa**
Tel.: +27 11 879 6600
Fax: +27 11 879 6603
Email: jhb.sales@Hellermann.co.za
www.HellermannTyton.co.za