

## Quick Installation Guide TT4030

### Getting started

Check that your delivery includes all of the following:

- Thermal transfer printer
- Power cable
- Product safety instructions
- RMA maintenance form
- Ribbon core
- USB cable
- WLAN device
- CD-ROM (driver, operator manual, demo software)



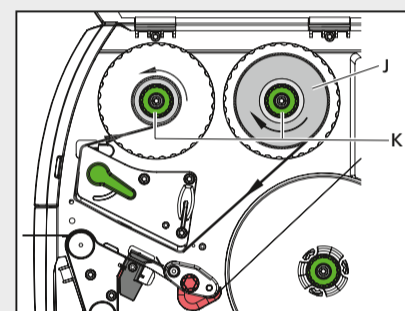
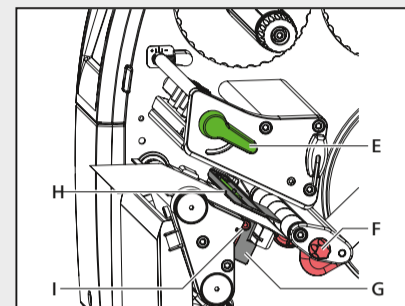
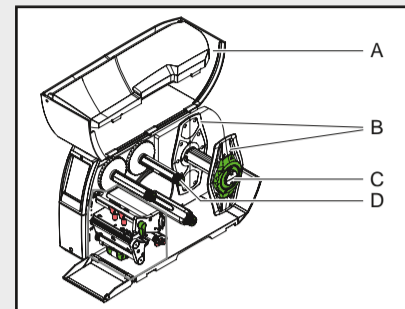
1

- Place the printer on a flat, stable surface
- Connect the device to the power supply
- Turn the printer on



2

- Open the cover (A)



### Insert material



3

- Turn the ring counterclockwise to release the margin stop (B)
- Remove the margin stop (B)



4

- Load the consumable material onto the roll holder (C) – the printable side of the material needs to face up
- Turn the ring clockwise to close the margin stop (B)



5

- Guide the consumable material strip towards the print head



6

- Move and position the guides closely to the edges of the material by turning the knob (F) – do not squeeze the material



7

- The sensor position (H) is indicated by a yellow lamp
- Loosen the screw (I)
- Position the sensor (H) by using the handle (G) so it can detect the gaps between the labels or cut-out marks
- Tighten the screw (I)

### Insert ribbon and start print



8

- Load the transfer ribbon (J) onto the hub (D) - make sure it is centered
- The colour-coated side of the ribbon needs to face the consumable and not the printhead



9

- Guide transfer ribbon through the printing unit as shown
- Stick the leading end of the colour ribbon to the ribbon core with adhesive tape
- Turn the colour ribbon winder counterclockwise to smooth out the colour ribbon feed
- Turn the rotary knobs (K) counterclockwise until the colour ribbon roll is fixed



10

- Turn the lever (E) clockwise to lock the printhead



11

- Close the cover (A)



12

- Install the driver and the software TagPrint Pro
- The printer is ready for printing



Application Video